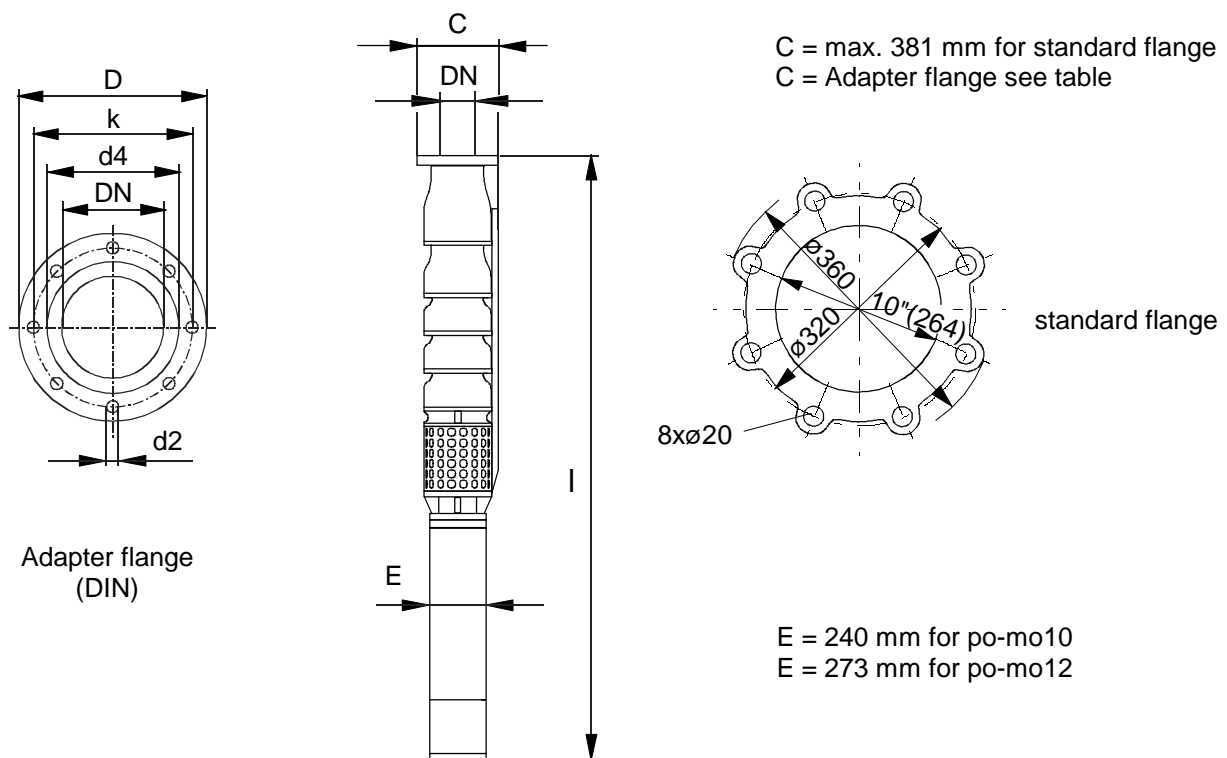


Specification

- multistage centrifugal pump in structured design coupled with **oddesse** submersible motor
- discharge end with integrated non-return valve
- driven by three-phase AC motors
- minimal water level above the pump unit 10 m
- min. cooling flow 0.5 m/s, max. ambient temperature 30 °C
- pure, clean water with content of solid up to 70 mg/l
- standard connection: flange, counter flange included
- other connections on request
- hydraulic performance tests for acceptance according to DIN EN ISO 9906 class 2
- special design (Horizontal installation, etc.) on request

Main dimensions

Dimensions of standard flanges and adapters



Type	adapters						
	flange	dimensions					
		D [mm]	b [mm]	k [mm]	d4 [mm]	d2 [mm]	m [kg]
po-ss-1000/16.1	DN200, PN16	340	24	295	268	12x Ø22	25
	DN200, PN40	375	34	320	285	12x Ø30	32
	DN250, PN16	405	26	355	320	12x Ø26	35
	DN250, PN40	450	38	385	345	12x Ø33	45
	DN300, PN16	460	28	410	378	12x Ø26	50
	DN300, PN40	515	42	450	410	16x Ø33	60

Flange dimensions according to DIN 2633 (PN16) and DIN 2635 (PN40)

Material: stainless steel

PN nominal pressure [bar], DN nominal diameter [mm], b thickness of flange [mm], m weight [kg]

Flanges with 2 cable recesses

subject to alterations

Material of construction

Submersible motor pumps po-ss/16.1

According to DIN

components	N-version (AISI 316)
impeller	stainless steel / 1.4401
spacer sleeve	stainless steel / 1.4401
stage casing, diffuser	stainless steel / 1.4401
wear ring	POM
suction casing, outlet branch	stainless steel / 1.4401
radial bearing	PTFE / stainless steel
suction strainer	stainless steel / 1.4401
coupling	stainless steel / 1.4462
shaft	stainless steel / 1.4462
screws, nuts and bolts	stainless steel / 1.4401
motor	see chapter submersible motors

According to AISI

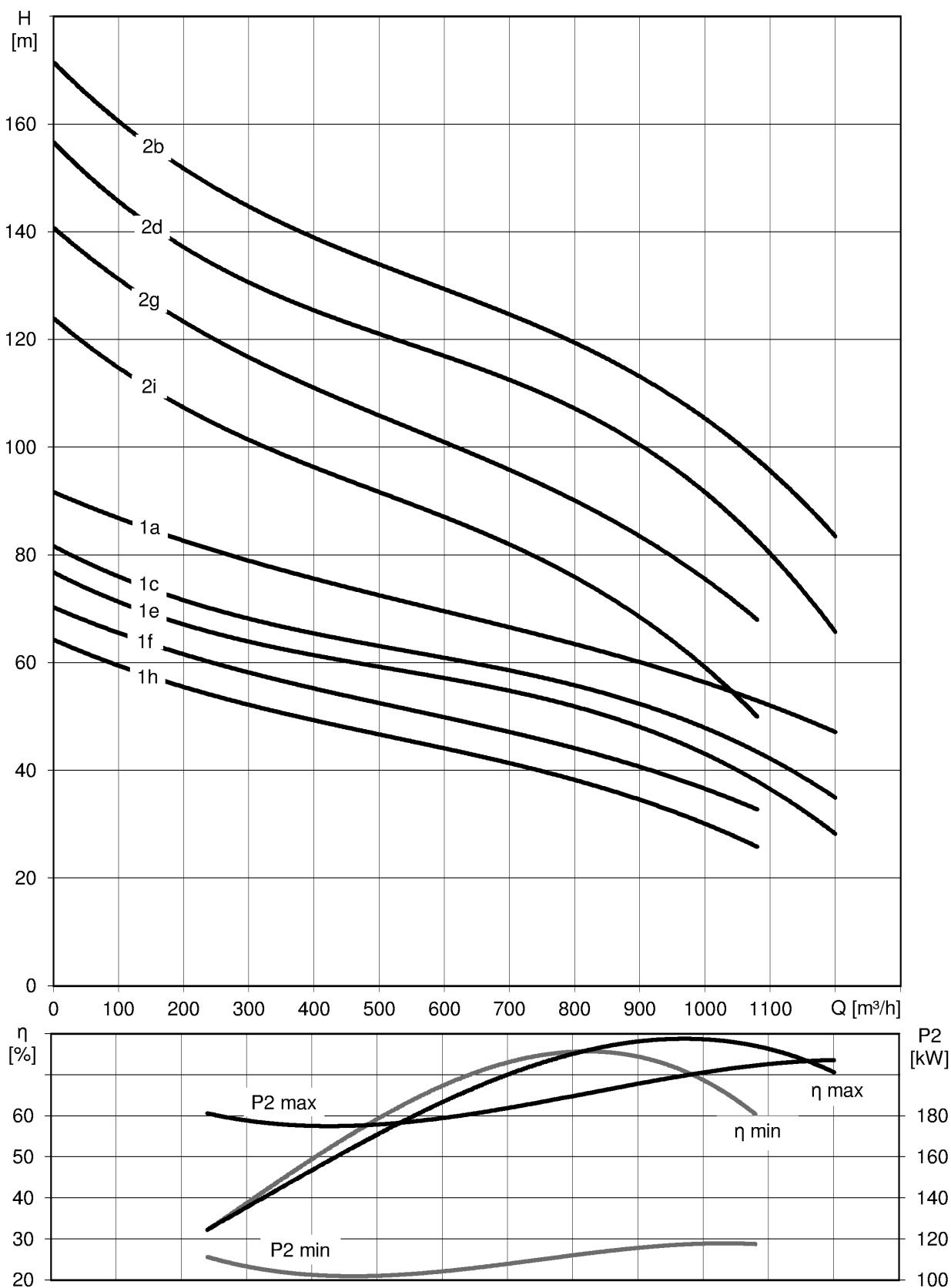
components	N-version (AISI 316)
impeller	stainless steel / AISI 316
spacer sleeve	stainless steel / AISI 316
stage casing, diffuser	stainless steel / AISI 316
wear ring	POM
suction casing, outlet branch	stainless steel / AISI 316
radial bearing	PTFE / stainless steel
suction strainer	stainless steel / AISI 316
coupling	stainless steel / AISI 329
shaft	stainless steel / AISI 329
screws, nuts and bolts	stainless steel / AISI 316
motor	see chapter submersible motors

oddesse reserve the right to employ construction materials following German (DIN) standard

subject to alterations

po-ss-1000/16.1

2900 r.p.m. - 50 Hz



subject to alterations

po-ss-1000/16.1
2900 r.p.m. - 50 Hz

Type	Power		Amperes 400V [A]	Delivery rate Q									Length l [mm]	Weight m [kg]
				[l/s]	67	133	167	200	250	278	300	333		
				[m³/h]	240	480	600	720	900	1000	1080	1200		
po-ss-1000-1h/16.1	130*	175*	250	Delivery head H [m]	55	47	43	41	35	31	25		3153	633
po-ss-1000-1f/16.1	150*	200*	290		61	53	49	46	42	37	32		3233	657
po-ss-1000-1e/16.1	185**	250**	365		68	59	56	53	49	44	39	27	3092	682
po-ss-1000-1c/16.1	225**	300**	440		72	63	60	57	53	49	44	34	3182	718
po-ss-1000-1a/16.1	225**	300**	440		83	73	68	65	61	57	54	46	3182	718
po-ss-1000-2i/16.1	260**	350**	515		108	91	85	80	72	60	48		3542	827
po-ss-1000-2g/16.1	300**	400**	595		123	106	99	94	86	77	66		3642	867
po-ss-1000-2d/16.1	375**	500**	760		139	121	114	109	102	94	85	63	3757	912
po-ss-1000-2b/16.1	400**	550**	810		153	134	127	121	115	107	100	81	3817	938

* 10 inch Motor

** 12 inch Motor

subject to alterations