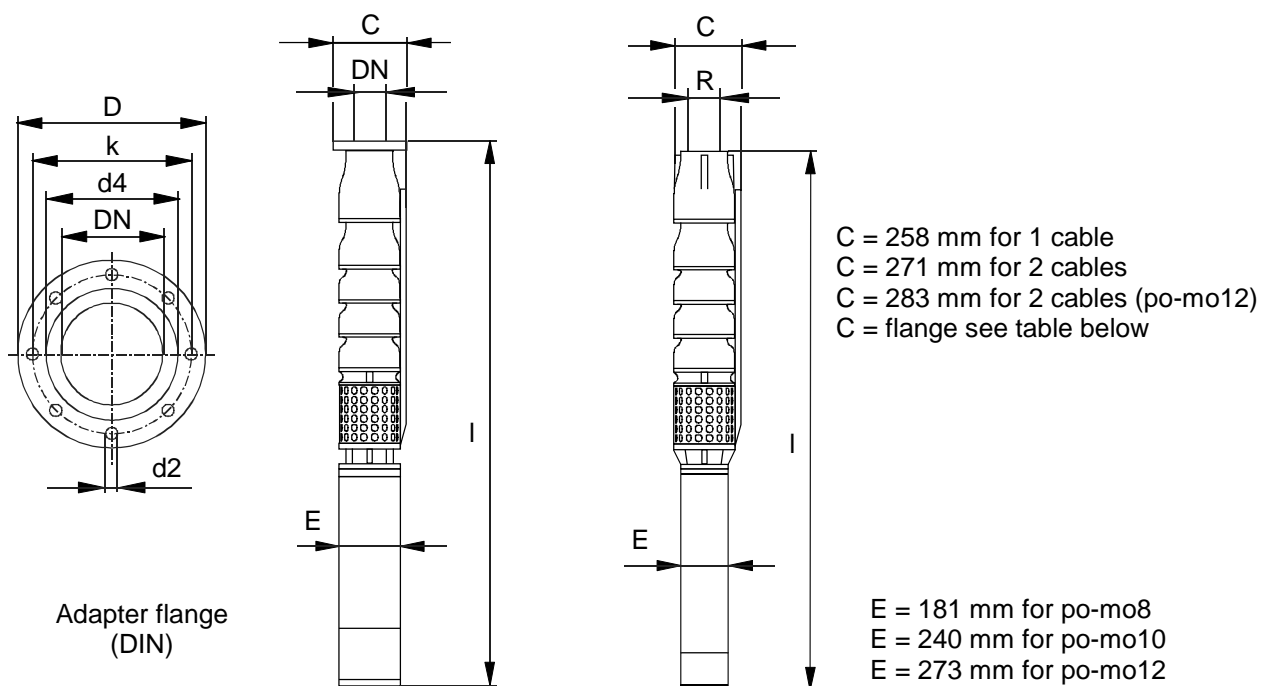


Specification

- multistage centrifugal pump in structured design coupled with **oddesse** submersible motor
- discharge end with / without integrated non-return valve
- driven by three-phase AC motors
- minimal water level above the pump unit 2 m
- min. cooling flow 0.5 m/s, max. ambient temperature 30 °C (higher temperature on request)
- pure, clean water with content of solid up to 50 mg/l
- standard connection: R = Rp 6" (EN10226)
- other connections on request
- hydraulic performance tests for acceptance according to DIN EN ISO 9906 class 2
- special design (Horizontal installation, etc.) on request

Main dimensions



Dimensions of standard flanges and adapters

Type	reduction thread	adapters						
		flange	dimensions					
			D [mm]	b [mm]	k [mm]	d4 [mm]	d2 [mm]	m [kg]
po-ss-150/10.1 po-ss-200/10.1 po-ss-270/10.1	G5	DN150, PN16	285	22	240	212	8x ø22	15
		DN150, PN40	300	28	250	218	8x ø26	19
	G6	DN200, PN16	340	24	295	268	12x ø22	25
		DN200, PN40	375	34	320	285	12x ø30	32
	G8	DN250, PN16	405	26	355	320	12x ø26	35
		DN250, PN40	450	38	385	345	12x ø33	45

Flange dimensions according to DIN 2633 (PN16) and DIN 2635 (PN40)

Material: stainless steel

PN nominal pressure [bar], DN nominal diameter [mm], b thickness of flange [mm], m weight [kg]

Flanges with 2 cable recesses

subject to alterations

oddesse Submersible motor pumps po-ss/10.1

Material of construction (hydraulic parts in casted design)

Submersible motor pumps po-ss/10.1

According to DIN

components	C-version (AISI 304)	R-version (duplex)
impeller	stainless steel / 1.4308	duplex stainless steel / 1.4517
stage casing, diffuser	stainless steel / 1.4308	duplex stainless steel / 1.4517
wear ring	POM	POM
suction casing, outlet branch	stainless steel / 1.4308	duplex stainless steel / 1.4517
radial bearing	EPDM / stainless steel	EPDM / duplex stainless steel
suction strainer	stainless steel / 1.4571	duplex stainless steel / 1.4539
coupling	duplex stainless steel / 1.4462	duplex stainless steel / 1.4462
shaft	stainless steel / 1.4057	duplex stainless steel / 1.4462
screws, nuts and bolts	stainless steel / A4-70	duplex stainless steel / 1.4462
motor	see chapter submersible motors	see chapter submersible motors

According to AISI

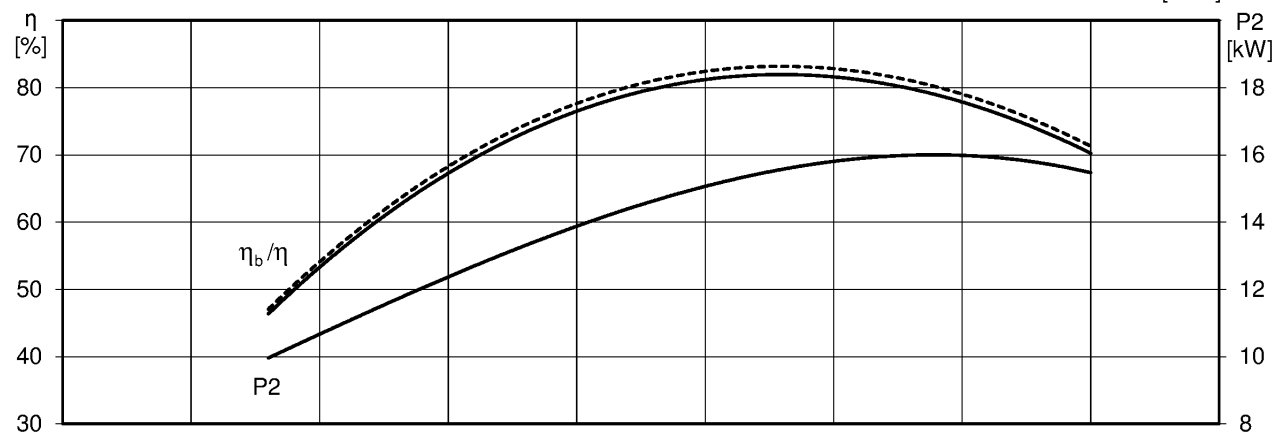
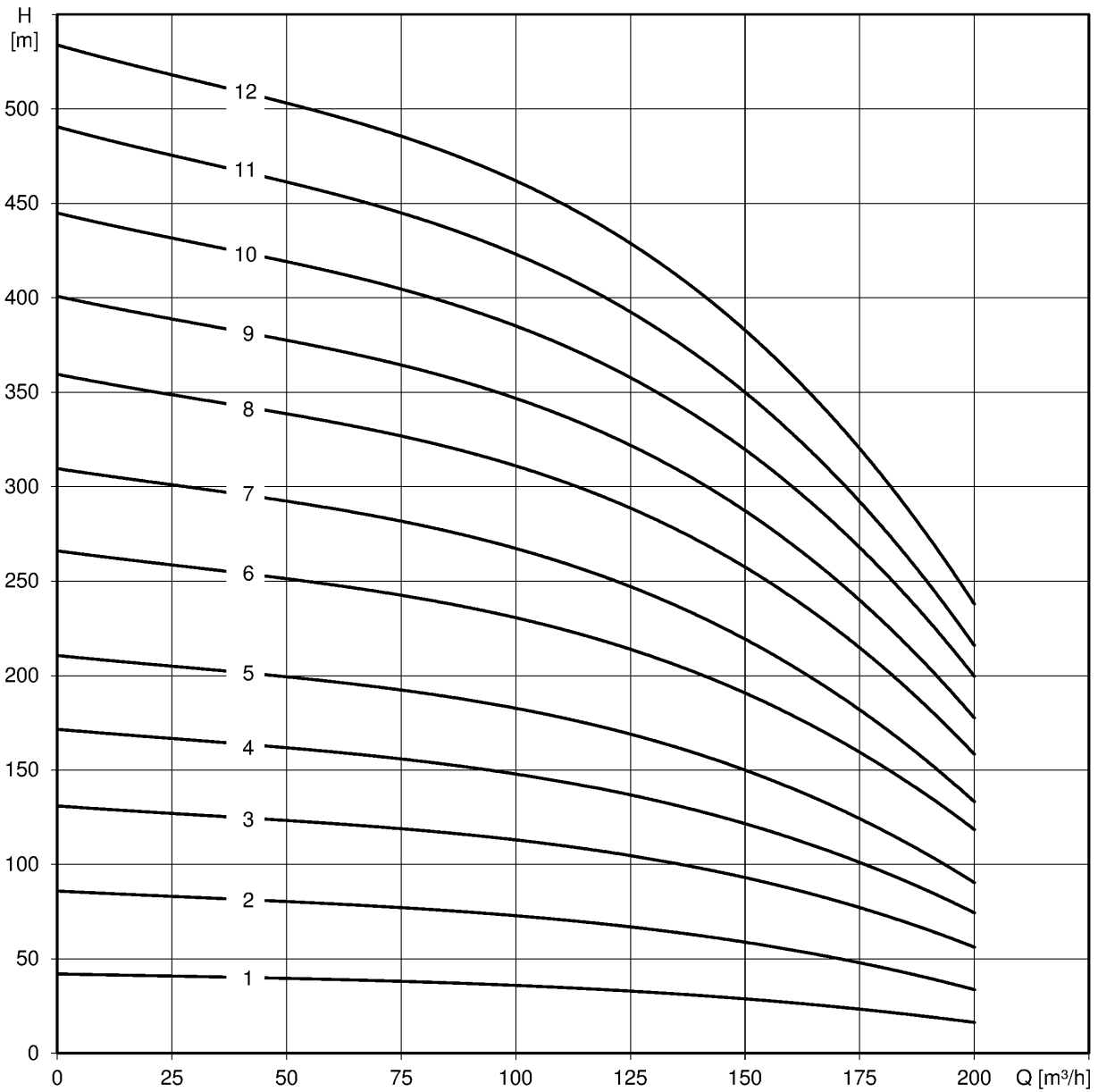
components	C-version (AISI 304)	R-version (duplex)
impeller	stainless steel / AISI 304	duplex stainless steel
stage casing, diffuser	stainless steel / AISI 304	duplex stainless steel
wear ring	POM	POM
suction casing, outlet branch	stainless steel / AISI 304	duplex stainless steel
radial bearing	EPDM / stainless steel	EPDM / duplex stainless steel
suction strainer	stainless steel / AISI 316	duplex stainless steel / AISI 904L
coupling	stainless steel / duplex	duplex stainless steel
shaft	stainless steel / AISI 431	duplex stainless steel
screws, nuts and bolts	stainless steel / AISI 316	duplex stainless steel
motor	see chapter submersible motors	see chapter submersible motors

oddesse reserve the right to employ construction materials following German (DIN) standard

subject to alterations

po-ss-150/10.1

2900 1/min - 50 Hz



η_b efficiency curve with optional coating (suitable for drinking water), on request

subject to alterations

po-ss-150/10.1

2900 1/min - 50 Hz

Type	Power		Amperes 400V [A]	Delivery rate Q									Length l [mm]	Weight m [kg]
	[kW]	[HP]		[l/s]	11	17	22	28	33	42	50	56		
				[m³/h]	40	60	80	100	120	150	180	200		
po-ss-150-1/10.1	18.5*	25*	38	Delivery head H [m]	40	39	38	36	34	29	22	16	1657	150
po-ss-150-2/10.1	37*	50*	72		81	79	77	73	69	59	45	34	2093	206
po-ss-150-3/10.1	55*	75*	108		124	121	118	114	107	93	72	57	2469	252
po-ss-150-4/10.1	75*	100*	145		163	159	155	149	140	121	96	75	2865	302
po-ss-150-5/10.1	90*	125*	172		201	197	191	184	173	150	117	91	3141	332
po-ss-150-6/10.1	110	150	215		253	248	241	231	218	191	151	120	3595	535
po-ss-150-7/10.1	130	170	250		295	288	280	268	252	219	172	134	3931	591
po-ss-150-8/10.1	150	200	290		342	333	325	312	294	258	202	160	4227	635
po-ss-150-9/10.1	170	230	325		380	372	362	348	328	287	226	179	4533	683
po-ss-150-10/10.1	185**	250**	365		422	413	402	387	365	317	255	201	4518	702
po-ss-150-11/10.1	225**	300**	440		465	454	442	425	401	349	275	218	4824	759
po-ss-150-12/10.1	225**	300**	440		506	496	483	464	437	381	304	240	5040	780

* 8 inch motor

** 12 inch motor

1-stage pump: efficiency η - 3%

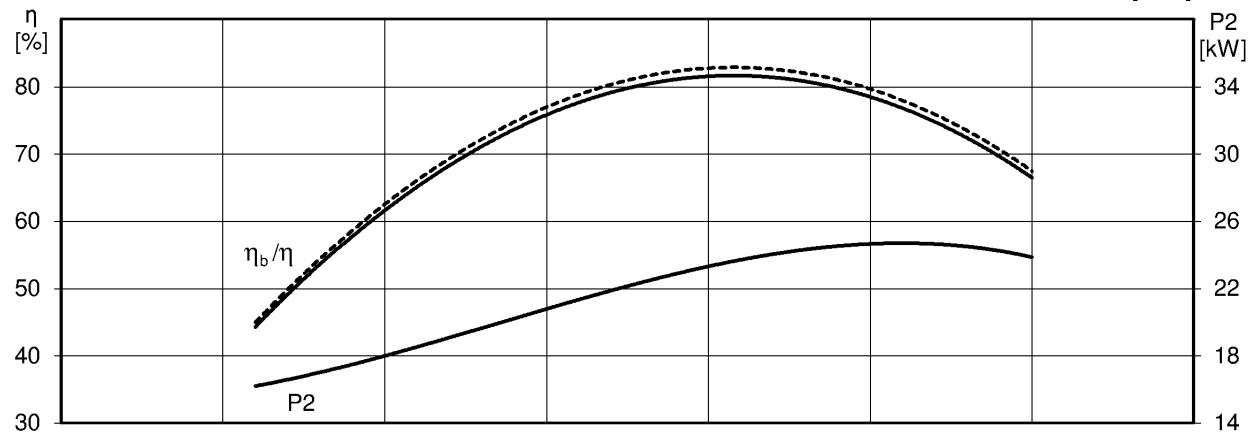
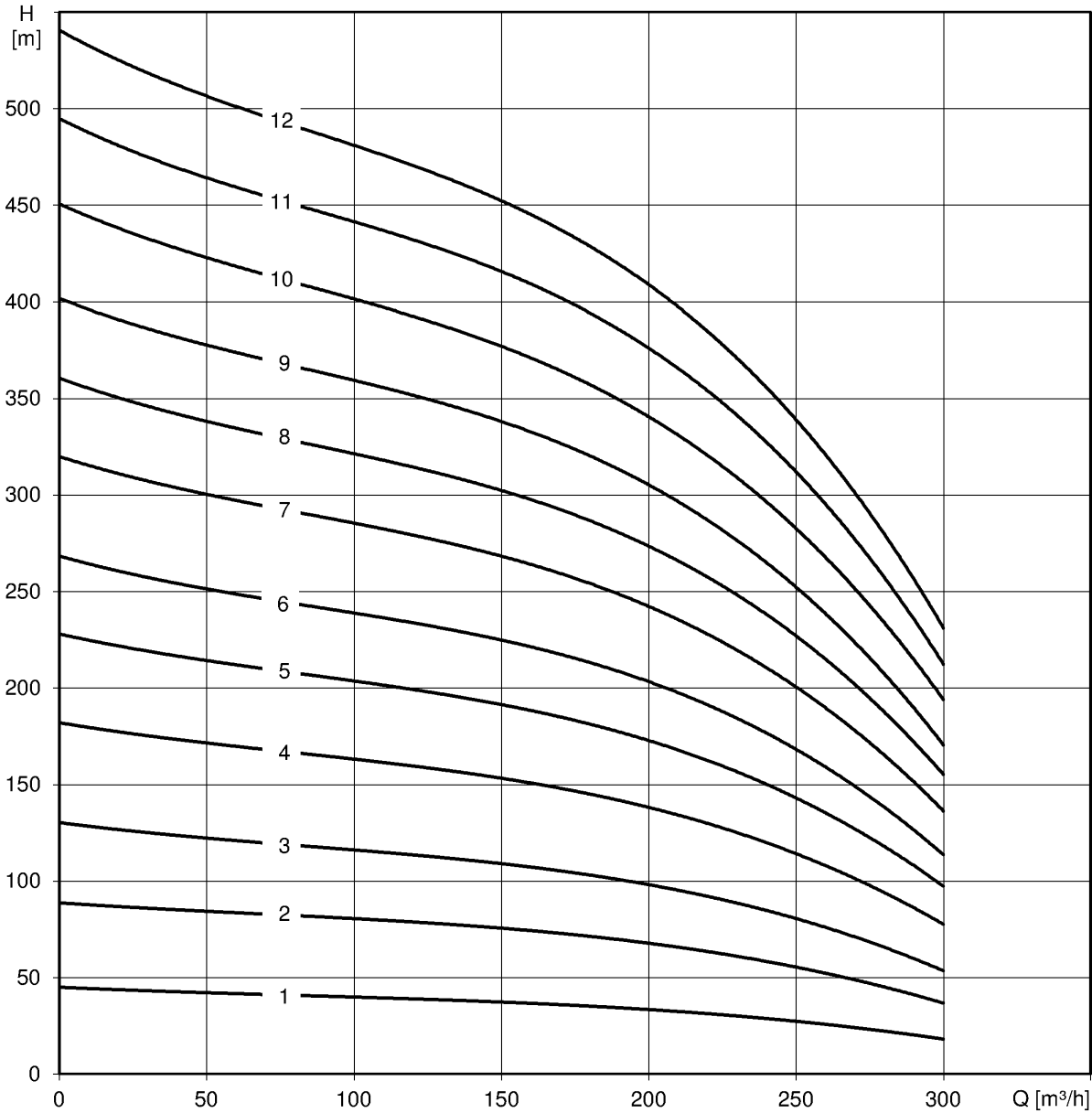
2-stage pump: efficiency η - 2%

3-stage pump: efficiency η - 1%

η -curves do not apply to adapted impellers

subject to alterations

po-ss-200/10.1
2900 1/min - 50 Hz



η_b efficiency curve with optional coating (suitable for drinking water), on request

subject to alterations

po-ss-200/10.1

2900 1/min - 50 Hz

Type	Power		Amperes 400V [A]	Delivery rate Q									Length l [mm]	Weight m [kg]
				[l/s]	17	28	39	50	56	61	72	83		
	[kW]	[HP]	[m³/h]	60	100	140	180	200	220	260	300			
po-ss-200-1/10.1	30*	40*	58	Delivery head H [m]	42	40	38	35	34	31	26	18	1792	170
po-ss-200-2/10.1	55*	75*	108		83	80	76	71	68	63	52	37	2253	229
po-ss-200-3/10.1	75*	100*	145		121	116	111	103	98	92	76	53	2649	277
po-ss-200-4/10.1	110	150	215		170	163	156	145	138	130	108	78	3163	488
po-ss-200-5/10.1	130	170	250		212	204	194	181	173	162	136	97	3499	543
po-ss-200-6/10.1	170	230	325		249	239	227	214	204	191	159	114	3885	613
po-ss-200-7/10.1	190	260	365		297	286	272	254	242	228	190	136	4161	651
po-ss-200-8/10.1	220	300	425		335	321	307	286	274	257	216	155	4437	688
po-ss-200-9/10.1	225**	300**	440		374	360	343	320	304	288	239	170	4392	706
po-ss-200-10/10.1	260**	350**	515		418	402	382	359	339	320	268	193	4683	754
po-ss-200-11/10.1	300**	400**	595		460	441	421	395	376	355	294	213	4999	813
po-ss-200-12/10.1	330**	450**	655		501	481	459	428	409	385	320	231	5265	852

* 8 inch motor

** 12 inch motor

1-stage pump: efficiency η - 3%

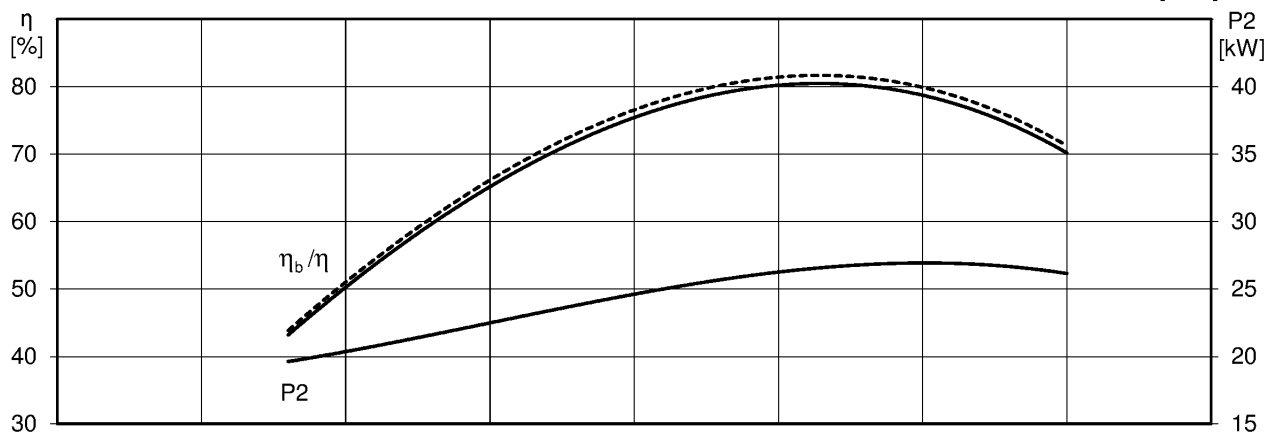
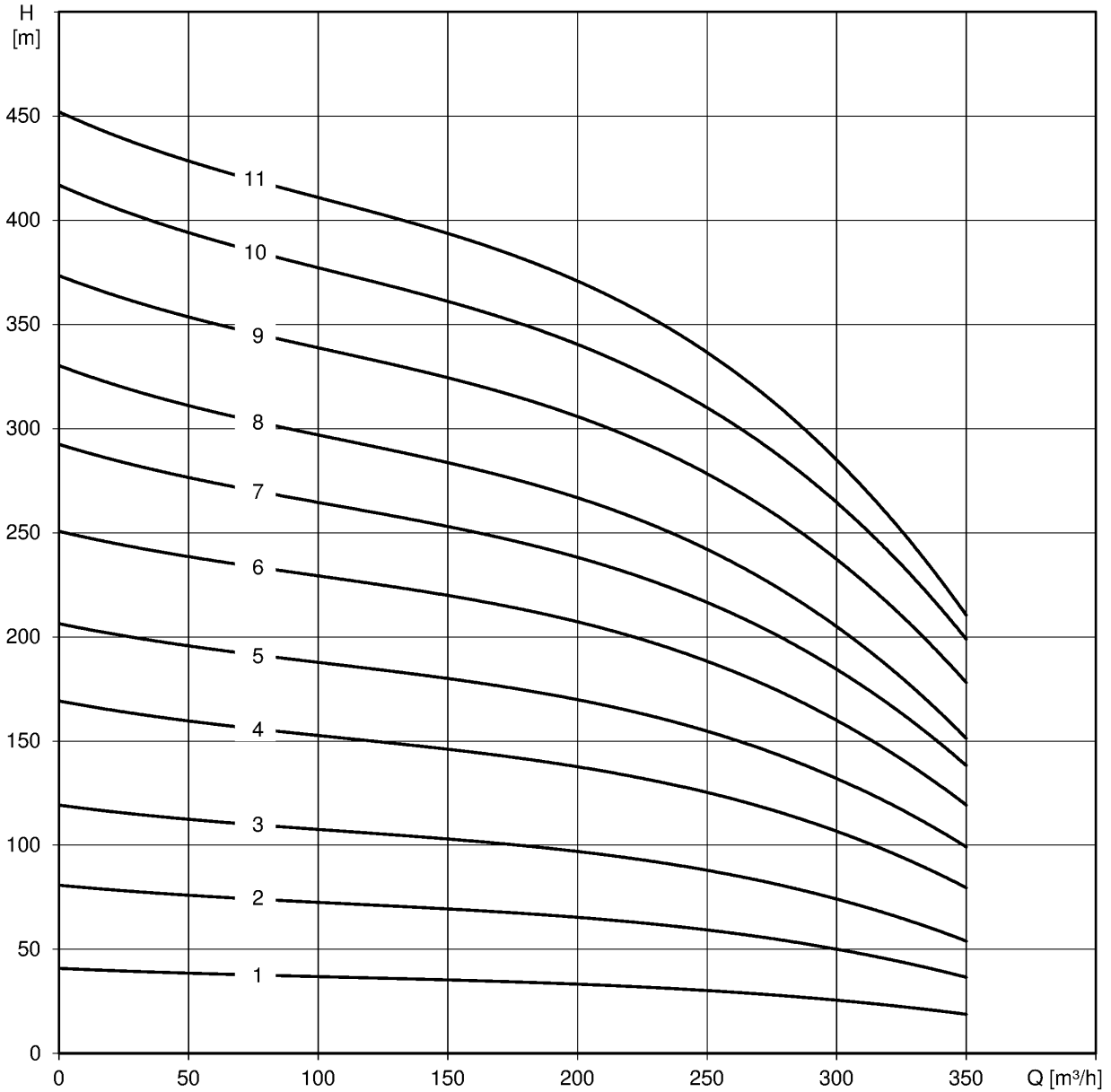
2-stage pump: efficiency η - 2%

3-stage pump: efficiency η - 1%

η -curves do not apply to adapted impellers

subject to alterations

po-ss-270/10.1
2900 1/min - 50 Hz



η_b efficiency curve with optional coating (suitable for drinking water), on request

subject to alterations

po-ss-270/10.1
2900 1/min - 50 Hz

Type	Power		Amperes 400V [A]	Delivery rate Q									Length l [mm]	Weight m [kg]
	[kW]	[HP]		[l/s]	22	33	44	56	67	75	83	97		
				[m³/h]	80	120	160	200	240	270	300	350		
po-ss-270-1/10.1	30*	40*	58	Delivery head H [m]	38	36	35	33	31	29	26	19	1792	170
po-ss-270-2/10.1	63*	85*	127		75	71	68	65	60	56	51	36	2333	242
po-ss-270-3/10.1	90*	125*	172		110	105	101	96	90	83	75	54	2709	288
po-ss-270-4/10.1	130	170	250		157	150	144	137	128	120	108	79	3283	523
po-ss-270-5/10.1	150	200	290		193	185	176	168	159	147	134	98	3579	568
po-ss-270-6/10.1	190	260	365		235	226	216	206	192	180	162	118	3945	632
po-ss-270-7/10.1	220	300	425		271	261	249	237	221	206	186	137	4221	670
po-ss-270-8/10.1	225**	300**	440		306	292	278	264	248	230	208	150	4176	688
po-ss-270-9/10.1	260**	350**	515		348	333	318	304	284	266	239	177	4467	736
po-ss-270-10/10.1	300**	400**	595		387	371	355	338	317	295	268	197	4783	796
po-ss-270-11/10.1	330**	450**	655		422	405	387	367	343	321	289	208	5049	834

* 8 inch motor

** 12 inch motor

1-stage pump: efficiency η - 3%

2-stage pump: efficiency η - 2%

3-stage pump: efficiency η - 1%

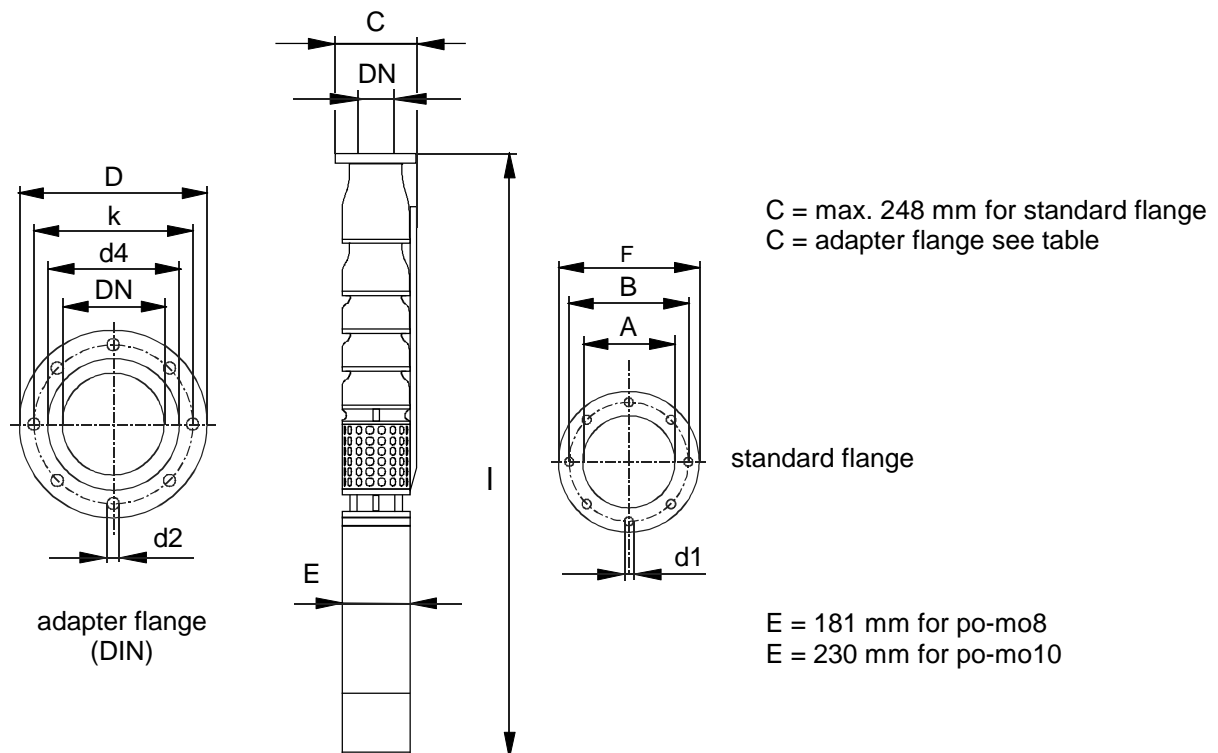
η -curves do not apply to adapted impellers

subject to alterations

Spezifikation

- multistage centrifugal pump in structured design coupled with **oddesse** submersible motor
- discharge end with integrated non-return valve
- driven by three-phase AC motors
- minimal water level above the pump unit 4 m
- min. cooling flow 0.5 m/s, max. ambient temperature 30 °C
- pure, clean water with content of solid up to 70 mg/l
- standard connection: flange, counter flange included
- other connections on request
- hydraulic performance tests for acceptance according to DIN EN ISO 9906 class 2
- special design (Horizontal installation, etc.) on request

Main dimensions



Dimensions of standard flanges and adapters

Type	standard flange dimensions				flange	adapter dimensions					
	F [mm]	B [mm]	A [mm]	d1 [mm]		D [mm]	b [mm]	k [mm]	d4 [mm]	d2 [mm]	m [kg]
po-ss-180/10.3	240	208	170	8x ø16	DN150, PN16	285	22	240	212	8x ø22	15
po-ss-240/10.4					DN150, PN40	300	28	250	218	8x ø26	19
po-ss-300/10.4											

Flange dimensions according to DIN 2633 (PN16) and DIN 2635 (PN40)

Material: stainless steel

PN nominal pressure[bar], DN nominal diameter[mm], b thickness of flange[mm], m weight [kg]

Flange with 2 cable recesses

subject to alterations

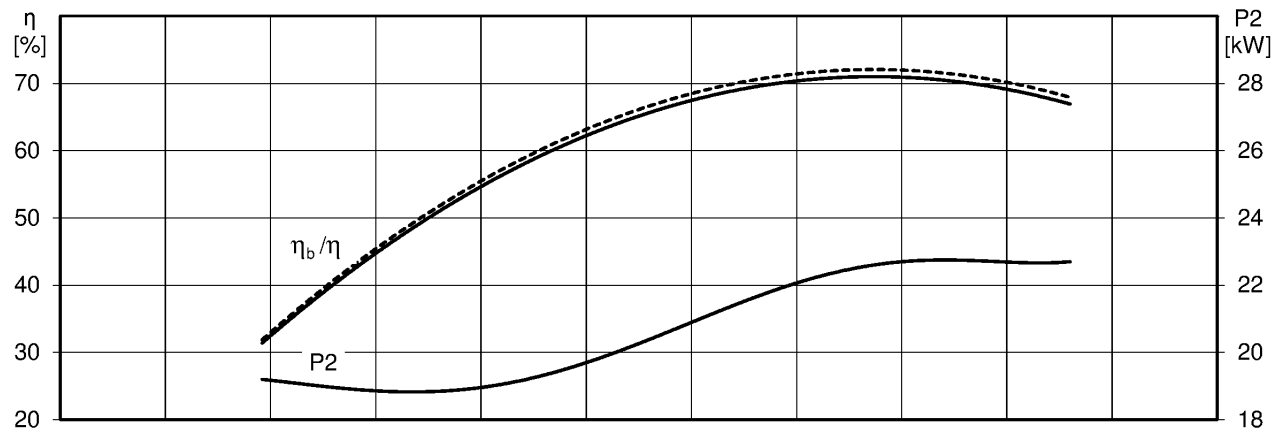
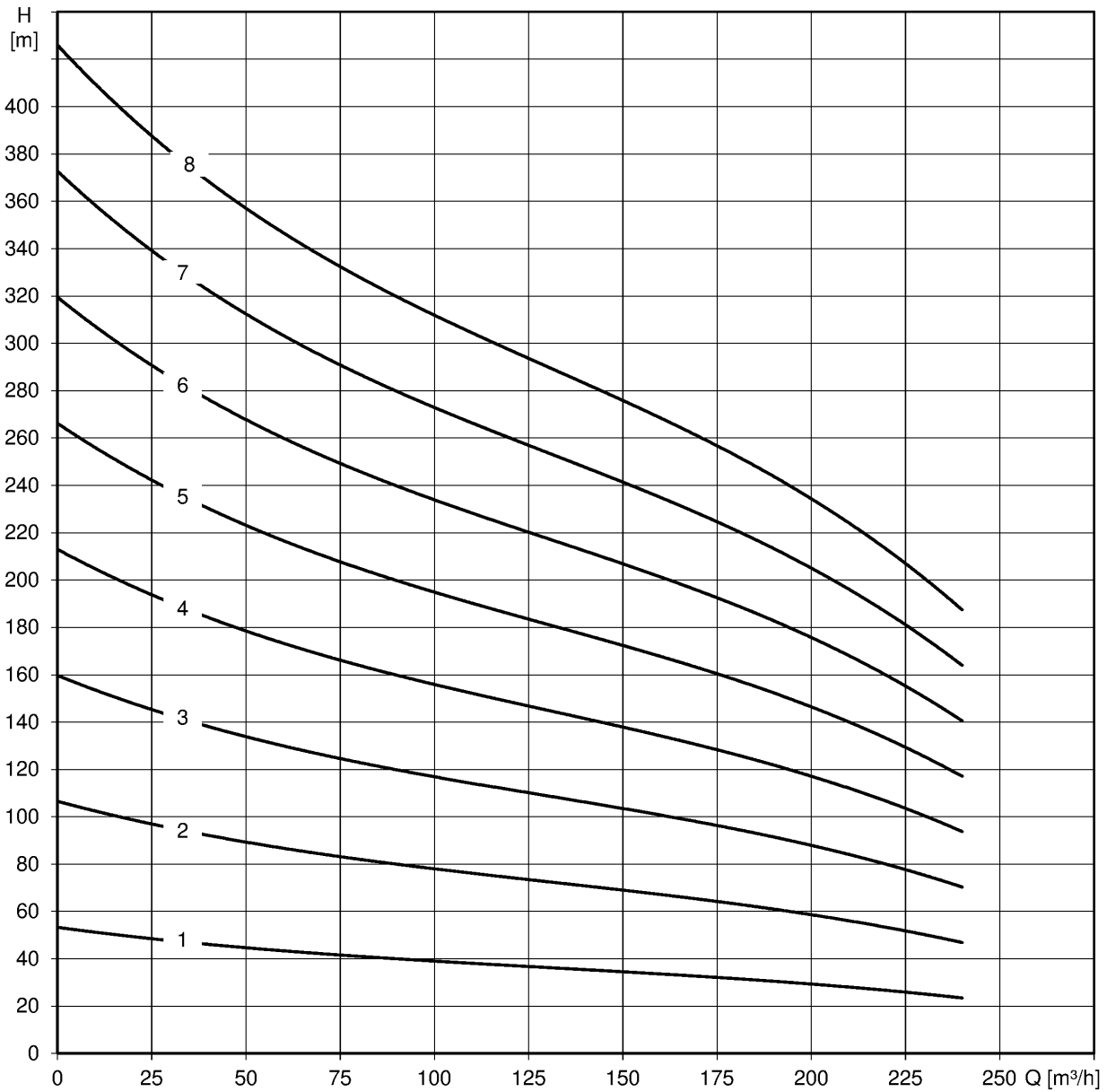
Material of construction

Submersible motor pumps po-ss/10

components	N-version (AISI 316)
impeller	stainless steel/ 1.4401
bushing	stainless steel/ 1.4401
diffuser, stage casing	stainless steel/ 1.4401
wear ring	POM
suction casing, outlet branch	stainless steel/ 1.4401
radial bearing	VITON / stainless steel
suction strainer	stainless steel/ 1.4401
coupling	stainless steel/ 1.4462
shaft	stainless steel/ 1.4462
shaft	stainless steel/ 1.4401
motor	see chapter submersible motors

subject to alterations

po-ss-180/10.3
2900 1/min - 50 Hz



η_b efficiency curve with optional coating (suitable for drinking water), on request

subject to alterations

po-ss-180/10.3
2900 1/min - 50 Hz

Type	Power		Amperes 400V [A]	Delivery rate Q									Length l [mm]	Weight m [kg]
	[kW]	[HP]		[l/s]	13	27	37	47	50	53	62	67		
				[m³/h]	48	96	132	168	180	192	222	240		
po-ss-180- 1/10.3	30*	40*	58	Delivery head H [m]	45	39	36	33	32	30	26	23	1774	171
po-ss-180- 2/10.3	55*	75*	108		90	79	72	66	63	61	53	47	2199	226
po-ss-180- 3/10.3	75*	100*	145		135	118	108	98	95	91	79	70	2559	271
po-ss-180- 4/10.3	110	150	215		180	158	144	131	126	121	105	94	3083	483
po-ss-180- 5/10.3	130	175	250		225	197	180	164	158	152	131	117	3383	534
po-ss-180- 6/10.3	150	200	290		270	236	216	197	189	182	158	141	3643	574
po-ss-180- 7/10.3	170	230	325		315	276	252	230	221	212	184	164	3913	617
po-ss-180- 8/10.3	190	260	365		360	315	288	262	253	243	210	188	4153	651

* 8"-Motor

1-stage pump: efficiency η - 3%

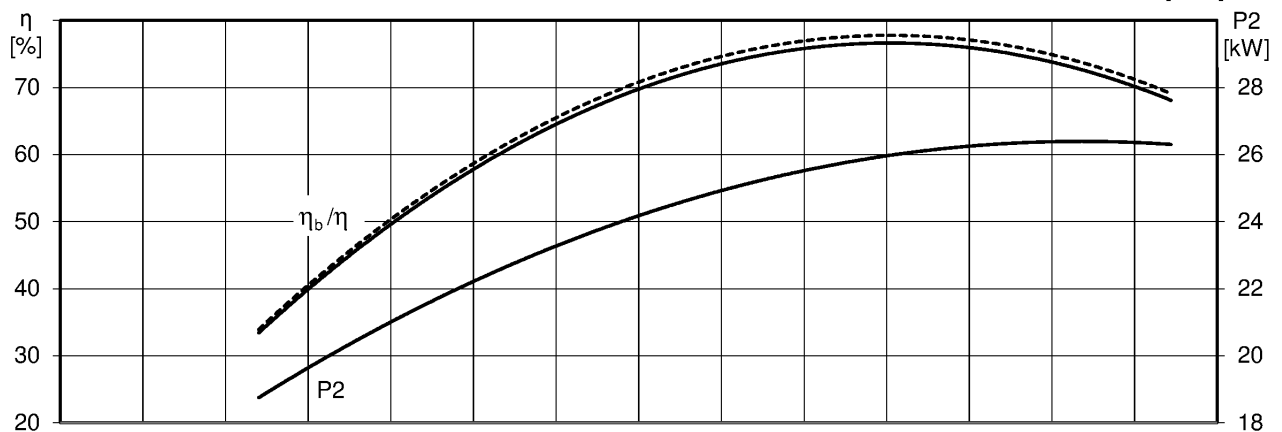
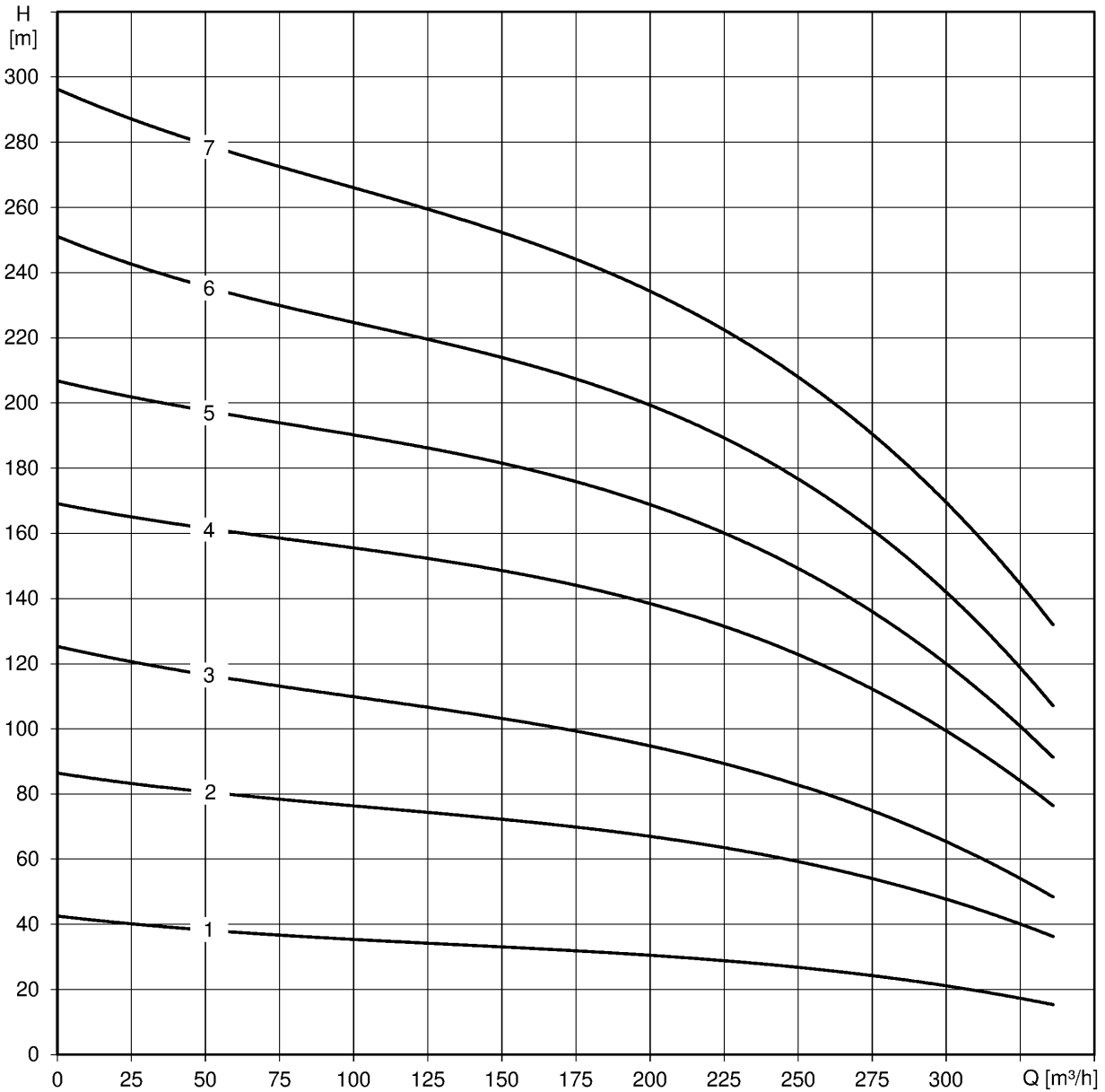
2-stage pump: efficiency η - 2%

3-stage pump: efficiency η - 1%

η -curves do not apply to adapted impellers

subject to alterations

po-ss-240/10.4
2900 1/min - 50 Hz



η_b efficiency curve with optional coating (suitable for drinking water), on request

subject to alterations

po-ss-240/10.4
2900 1/min - 50 Hz

Type	Power		Amperes 400V [A]	Delivery rate Q									Length l [mm]	Weight m [kg]
	[kW]	[HP]		[l/s]	17	28	39	56	67	78	83	93		
				[m³/h]	60	100	140	200	240	280	300	336		
po-ss-240-1/10.4	30*	40*	58	Delivery head H [m]	38	35	33	30	28	24	21	15	1820	173
po-ss-240-2/10.4	55*	75*	108		79	76	73	67	61	52	47	37	2260	231
po-ss-240-3/10.4	90*	125*	172		115	110	105	95	86	73	65	48	2695	290
po-ss-240-4/10.4	110*	150*	225		160	155	151	139	126	109	99	77	3024	327
po-ss-240-5/10.4	150	200	290		195	190	184	169	154	132	119	92	3541	574
po-ss-240-6/10.4	170	230	325		232	224	217	200	182	156	141	109	3826	621
po-ss-240-7/10.4	190	260	365		276	266	255	234	214	186	169	132	4082	659

* 8"-Motor

1-stage pump: efficiency η - 3%

2-stage pump: efficiency η - 2%

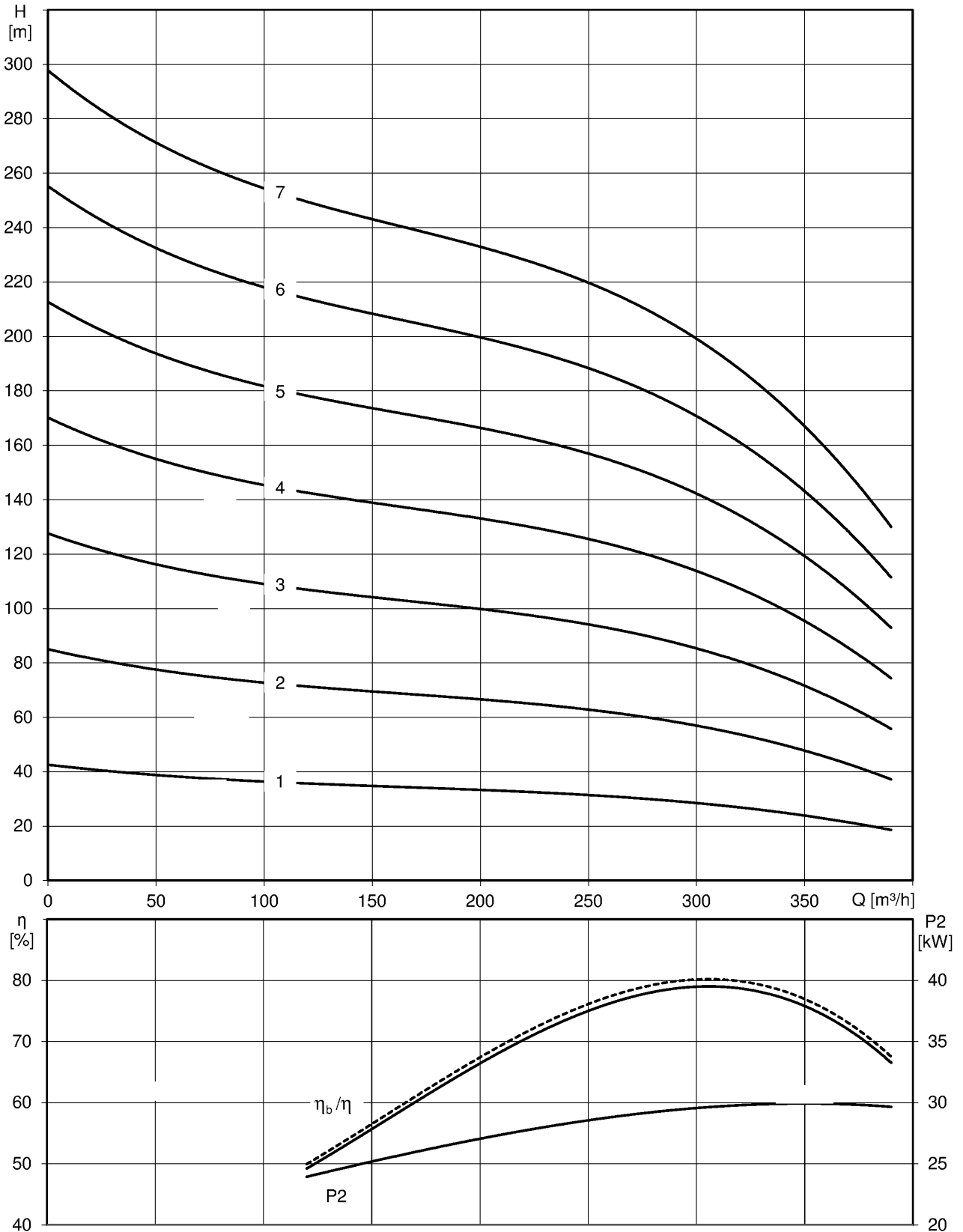
3-stage pump: efficiency η - 1%

η -curves do not apply to adapted impellers

subject to alterations

po-ss-300/10.4

2900 1/min - 50 Hz



η_b efficiency curve with optional coating (suitable for drinking water), on request

subject to alterations

po-ss-300/10.4
2900 1/min - 50 Hz

Type	Power		Amperes 400V [A]	Delivery rate Q									Length l [mm]	Weight m [kg]
	[kW]	[kW]		[l/s]	33	50	67	75	83	92	100	108		
				[m³/h]	120	180	240	270	300	330	360	390		
po-ss-300-1/10.4	37*	50*	72*	Delivery head H [m]	36	34	32	31	29	26	23	19	1875	186
po-ss-300-2/10.4	63*	85*	127*		72	67	63	61	57	52	45	37	2310	243
po-ss-300-3/10.4	110	150	215		108	101	95	92	86	78	68	56	2950	466
po-ss-300-4/10.4	130	170	250		144	134	126	122	115	104	90	74	3265	530
po-ss-300-5/10.4	170	230	325		180	168	158	153	144	130	113	93	3631	601
po-ss-300-6/10.4	190	260	365		215	202	190	183	172	156	135	112	3886	639
po-ss-300-7/10.4	220	300	425		251	235	221	214	201	182	158	130	4142	677

* 8"-Motor

1-stage pump: efficiency η - 3%

2-stage pump: efficiency η - 2%

3-stage pump: efficiency η - 1%

η -curves do not apply to adapted impellers

subject to alterations