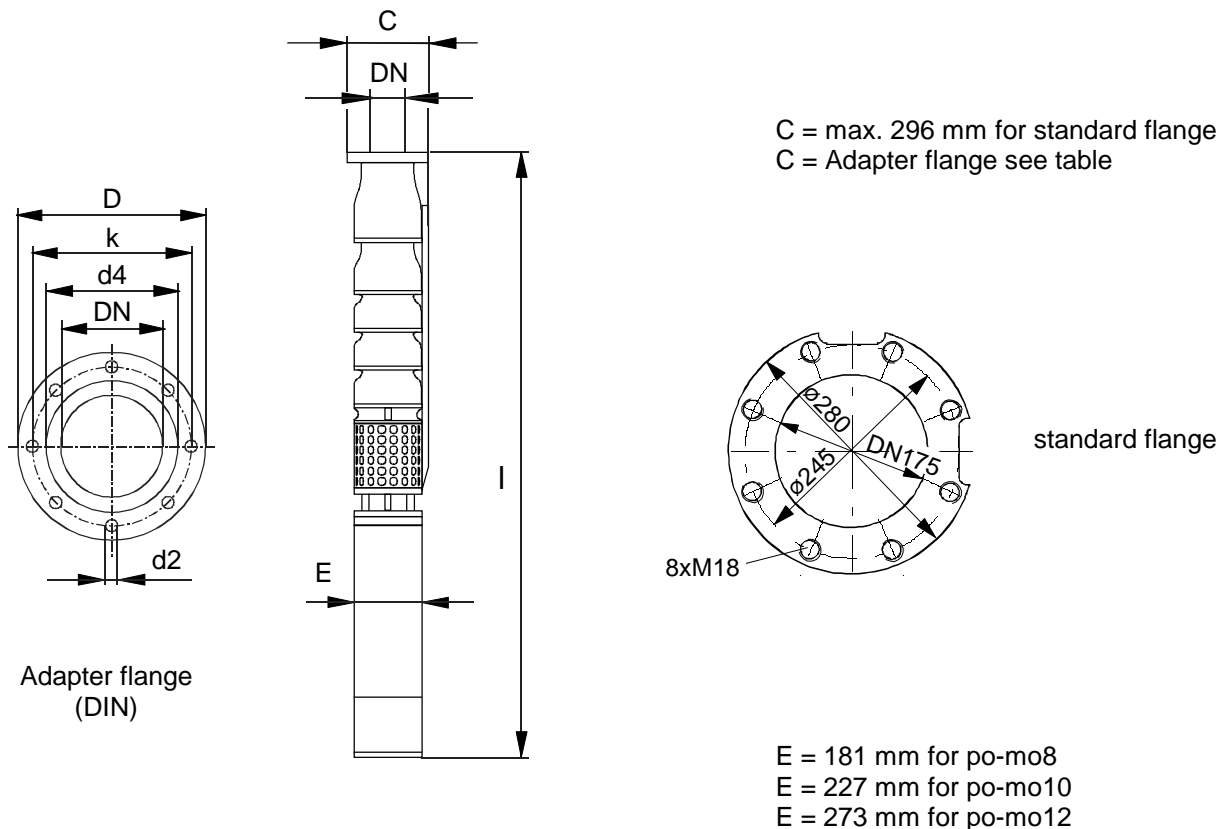


## Specification

- multistage centrifugal pump in structured design coupled with **oddesse** submersible motor
- discharge end with integrated non-return valve
- driven by three-phase AC motors
- minimal water level above the pump unit 2.5 m
- min. cooling flow 0.5 m/s, max. ambient temperature 30 °C
- pure, clean water with content of solid up to 50 mg/l
- standard connection: flange, counter flange included
- other connections on request
- hydraulic performance tests for acceptance according to DIN EN ISO 9906 class 2
- special design (Horizontal installation, etc.) on request



## Main dimensions

### Dimensions of standard flanges and adapters

Type	adapters						
	flange	dimensions					
		D [mm]	b [mm]	k [mm]	d4 [mm]	d2 [mm]	m [kg]
po-so-300/12.3 po-so-400/12.3	DN150, PN16	285	22	240	212	8x ø22	15
	DN150, PN40	300	28	250	218	8x ø26	19
	DN200, PN16	340	24	295	268	12x ø22	25
	DN200, PN40	375	34	320	285	12x ø30	32
	DN250, PN16	405	26	355	320	12x ø26	35
	DN250, PN40	450	38	385	345	12x ø33	45

Flange dimensions according to DIN 2633 (PN16) and DIN 2635 (PN40)

Material: zinc-coated or stainless steel

PN nominal pressure [bar], DN nominal diameter [mm], b thickness of flange [mm], m weight [kg]

Flanges with 2 cable recesses

subject to alterations

## Material of construction

### Submersible motor pumps po-so/12.3

#### According to DIN

components	design	
	standard-version	P-version
impeller	grey cast iron GG25 / 0.6025	stainless steel / 1.4401
stage casing	grey cast iron GG25 / 0.6025	
suction casing	grey cast iron GG25 / 0.6025	
outlet branch	grey cast iron GG25 / 0.6025	
radial bearing	rubber / stainless steel	
suction strainer	stainless steel / 1.4301	
coupling	stainless steel / 1.4005	
shaft	stainless steel / 1.4021	
screws, nuts and bolts	stainless steel A2 1.4301 / 1.4303	
motor	see chapter submersible motors	

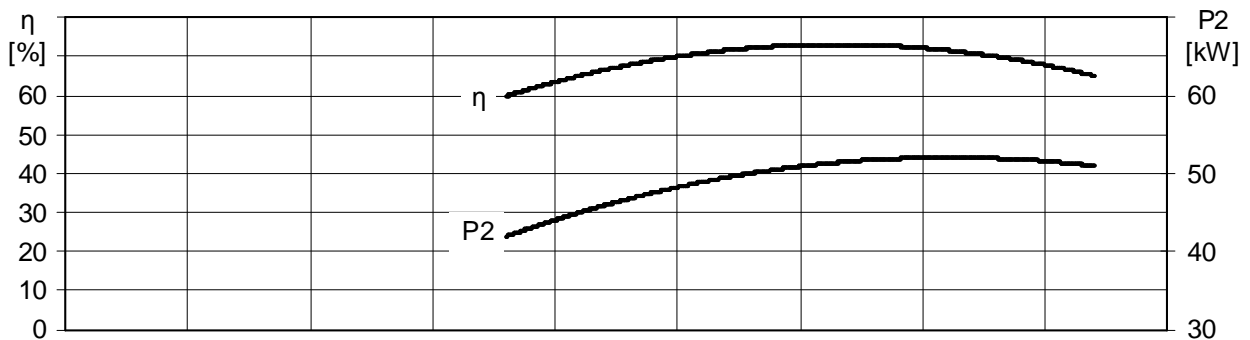
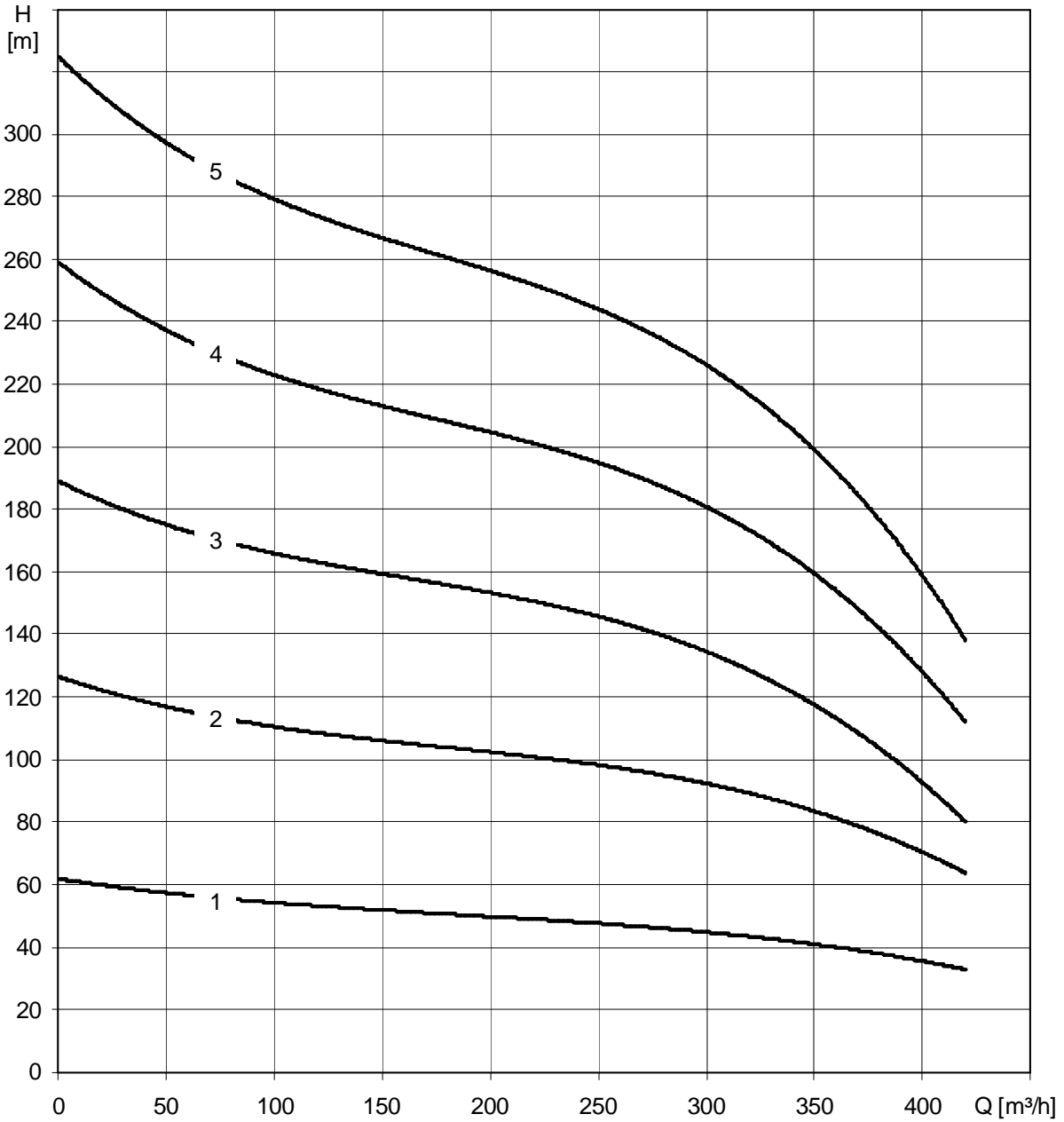
#### According to AISI

components	design	
	standard-version	R-version
impeller	grey cast iron A48-40B	stainless steel / AISI316
stage casing	grey cast iron A48-40B	
suction casing	grey cast iron A48-40B	
outlet branch	grey cast iron A48-40B	
radial bearing	rubber / stainless steel	
suction strainer	stainless steel / AISI 304	
coupling	stainless steel / AISI 416	
shaft	stainless steel / AISI 420	
screws, nuts and bolts	stainless steel A2 AISI 304/305	
motor	see chapter submersible motors	

**oddesse** reserve the right to employ construction materials following German (DIN) standard

subject to alterations

**po-so-300/12.3**  
2900 1/min - 50 Hz



subject to alterations

## po-so-300/12.3

2900 1/min - 50 Hz

Type	Power		Amperes 400V [A]	Delivery rate Q									Length l [mm]	Weight m [kg]
				[l/s]	50	67	75	<b>83</b>	92	100	108	117		
				[m³/h]	180	240	270	<b>300</b>	330	360	390	420		
<b>po-so-300-1/12.3</b>	75*	100*	145	Delivery head H [m]	51	48	47	<b>45</b>	43	40	37	33	2411	327
<b>po-so-300-2/12.3</b>	130**	175**	250		104	99	96	<b>92</b>	88	81	74	64	3017	591
<b>po-so-300-3/12.3</b>	170**	230**	325		156	147	142	<b>135</b>	125	114	98	80	3387	681
<b>po-so-300-4/12.3</b>	225	300	440		208	197	190	<b>181</b>	169	154	135	112	3446	753
<b>po-so-300-5/12.3</b>	300	400	595		261	247	238	<b>226</b>	211	192	168	138	3821	861

\* 8" inch motor

\*\* 10 inch motor

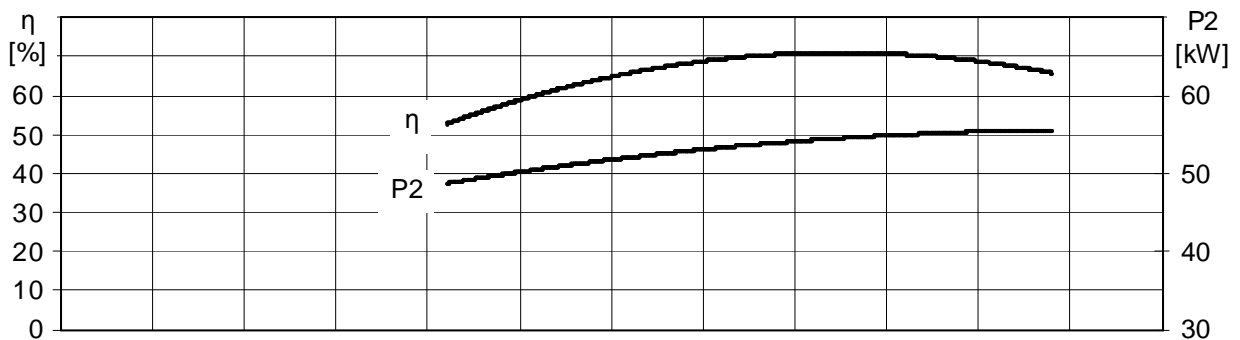
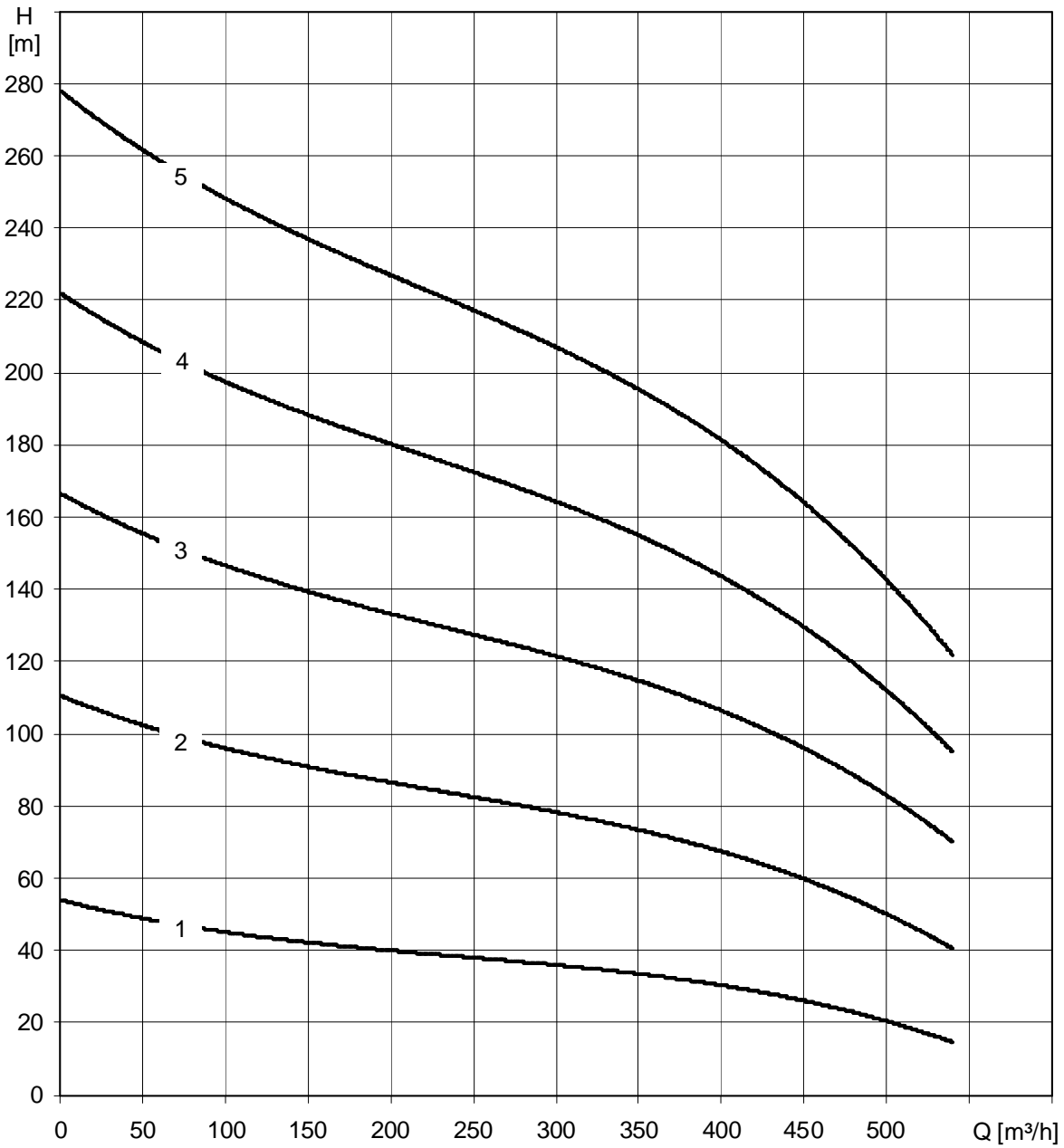
1-stage pump: delivery head H and efficiency  $\eta$  - 2%

2-stage pump: delivery head H and efficiency  $\eta$  - 1%

subject to alterations

**po-so-400/12.3**

2900 1/min - 50 Hz



subject to alterations

## po-so-400/12.3

2900 1/min - 50 Hz

Type	Power		Amperes	Delivery rate Q									Length l [mm]	Weight m [kg]		
				400V		[l/s]	58	67	75	100	111	117			133	150
				[kW]	[HP]	[A]	[m³/h]	210	240	270	360	<b>400</b>			420	480
<b>po-so-400-1/12.3</b>	55*	75*	108	Delivery head H [m]	40	38	38	33	<b>30</b>	29	24	15	2231	296		
<b>po-so-400-2/12.3</b>	110**	150**	215		86	84	81	72	<b>68</b>	65	55	41	2897	552		
<b>po-so-400-3/12.3</b>	170**	230**	325		132	129	125	113	<b>106</b>	103	89	70	3387	675		
<b>po-so-400-4/12.3</b>	260	350	515		178	174	170	153	<b>144</b>	138	119	96	3521	774		
<b>po-so-400-5/12.3</b>	300	375	595		224	219	214	193	<b>182</b>	174	151	123	3821	851		

\* 8 inch motor

\*\* 10 inch motor

1-stage pump: delivery head H and efficiency  $\eta$  - 2%

2-stage pump: delivery head H and efficiency  $\eta$  - 1%

subject to alterations