

### po-upl 300.1

#### Fields of application:

The propeller pump **po-upl 300.1** is a submersible single stage centrifugal pump with open semi-axial impeller for delivery of clean or slightly polluted water with solid contents up to 50 mg/l.

#### Technical data:

Delivery rate range 0 - 1000 m<sup>3</sup>/h  
 Delivery head range 23 - 2.8 m  
 Medium temperature max. 50 °C  
 Suction head max. 3 m

Current type three-phase AC, 50 Hz  
 Nominal voltage 380 V / 400 V / 500 V  
 Nominal current 64 A / 61 A / 49 A  
 Nominal power 30 kW  
 Nominal speed 1450 1/min  
 Power factor cos φ 0.83  
 Direction of rotation anti clockwise

Weight 590 kg  
 Degree of protection DIN IP68  
 Suction branch C 250 DIN 2532  
 Outlet branch C 300 DIN 2532

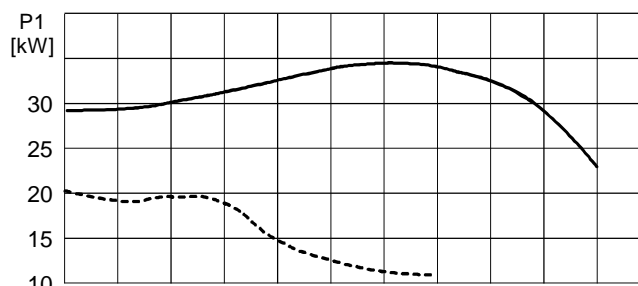
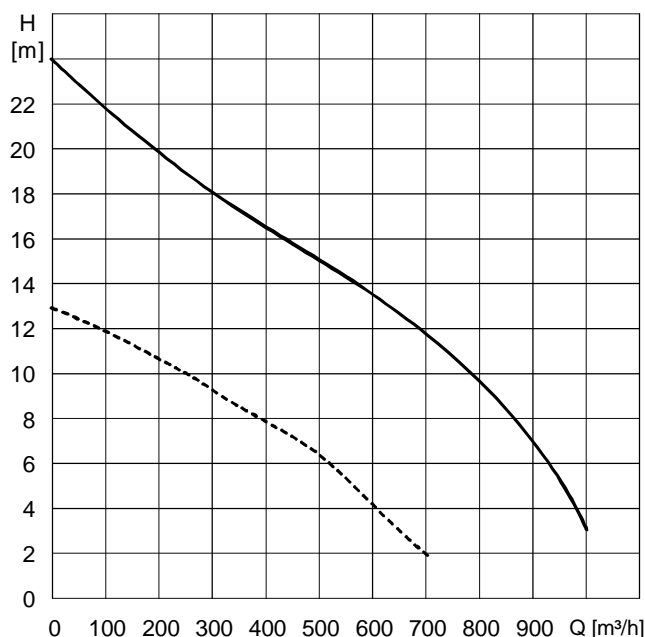
#### Material specification:

Casing cast iron GG-25 or bronze  
 Impeller bronze  
 Radial bearing stainless steel / bronze  
 Shaft sealing mechanical seal SiC  
 Winding waterproof

#### Electrical connection:

- 10 m watertight rubber-jacked cable
- for permanent operation, switched operation and frequency controlled use

#### Characteristic curve:



--- minimal curve  
 Curves between possible

#### Delivery data:

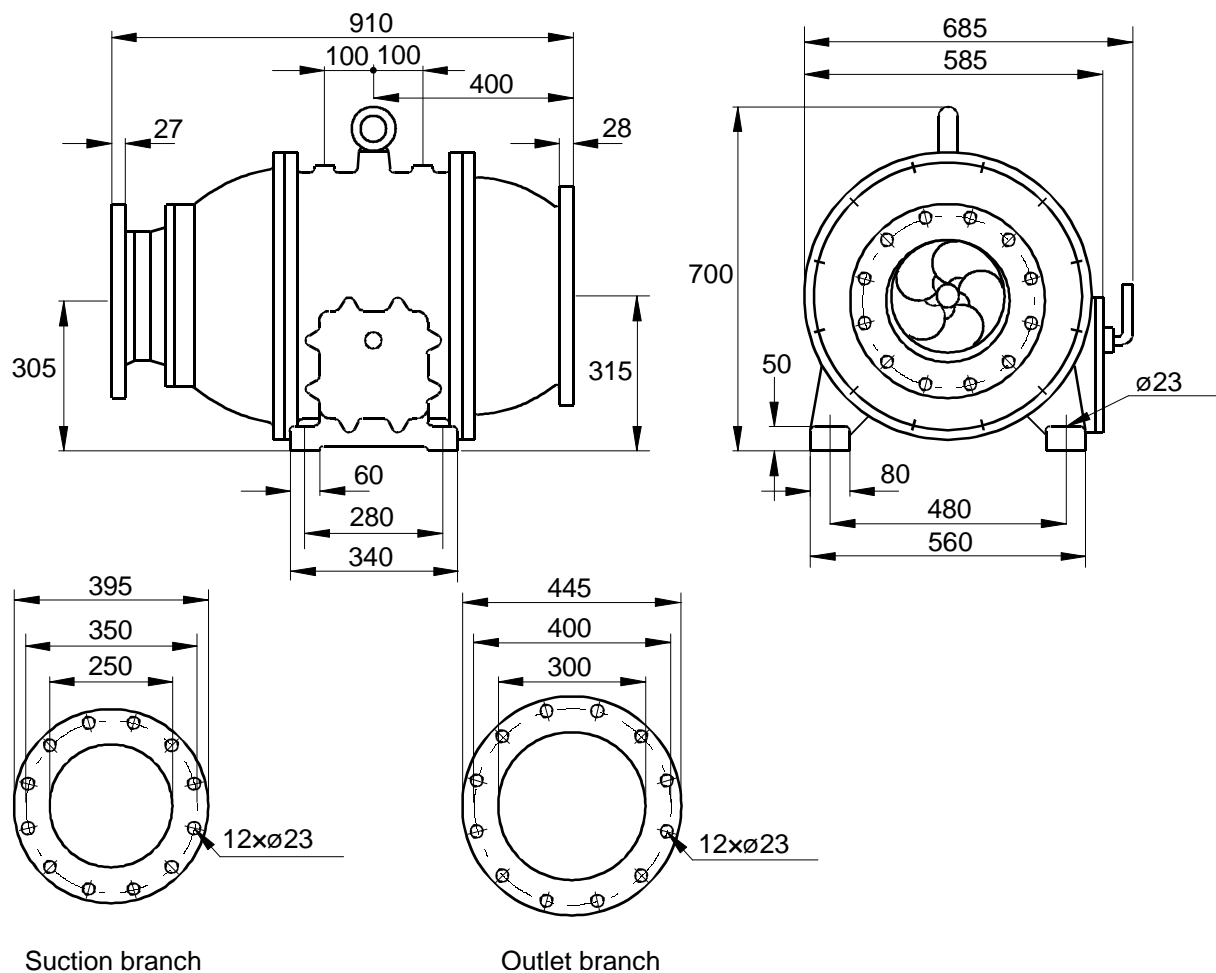
Q [m <sup>3</sup> /h]	0	200	400	600	800	1000
Q [l/s]	0	55	111	167	222	278
H [m]	24	20	17.5	13.5	9.5	2.8

special designs on request

Subject to alterations

### Main dimensions:

### po-upl 300.1



### Installation:

- horizontal or vertical installation position
- on foundation
- in-line with piping
- with automatic coupling device
- free hanging at delivery pipe
- in ducts made of concrete or steel

Subject to alterations