

po-upl 250.1

Fields of application:

The propeller pump **po-upl 250.1** is a submersible single stage centrifugal pump with open semi-axial impeller for delivery of clean or slightly polluted water with solid contents up to 50 mg/l.

Technical data:

Delivery rate range	0 - 620 m ³ /h
Delivery head range	9 - 0 m
Medium temperature	max. 50 °C
Suction head	max. 1 m
Current type	tree-phase AC, 50 Hz
Nominal voltage	380 V / 400 V / 500 V
Nominal current	24 A / 22 A / 18 A
Nominal power	9.2 kW
Nominal speed	1450 1/min
Power factor cos φ	0.86
Direction of rotation	anti clockwise
Weight	270 kg
Degree of protection	DIN IP68
Suction branch	C 250 DIN 2532
Outlet branch	C 250 DIN 2532

Material specification:

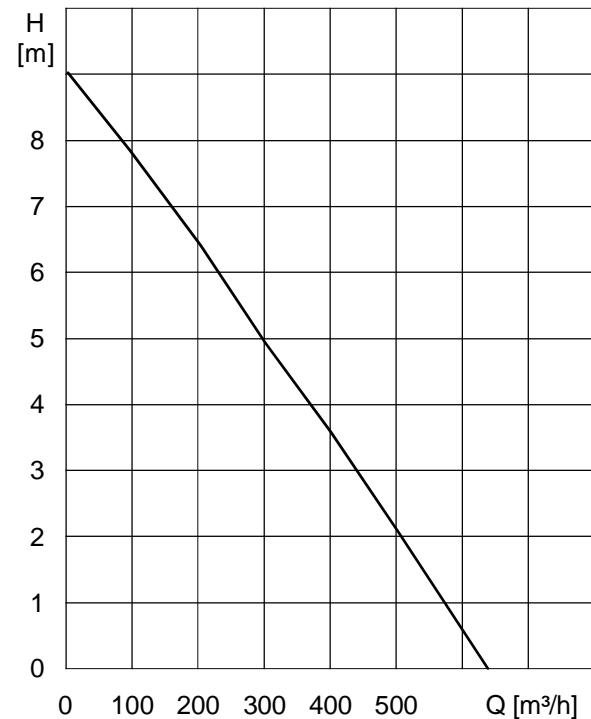
Casing	cast iron GG-25 or bronze
Impeller	bronze
Radial bearing	stainless steel / bronze
Shaft sealing	mechanical seal SiC
Winding	waterproof

Electrical connection:

- 10 m watertight rubber-jacked cable
- for permanent operation, switched operation and frequency controlled use

special designs on request

Characteristic curve:



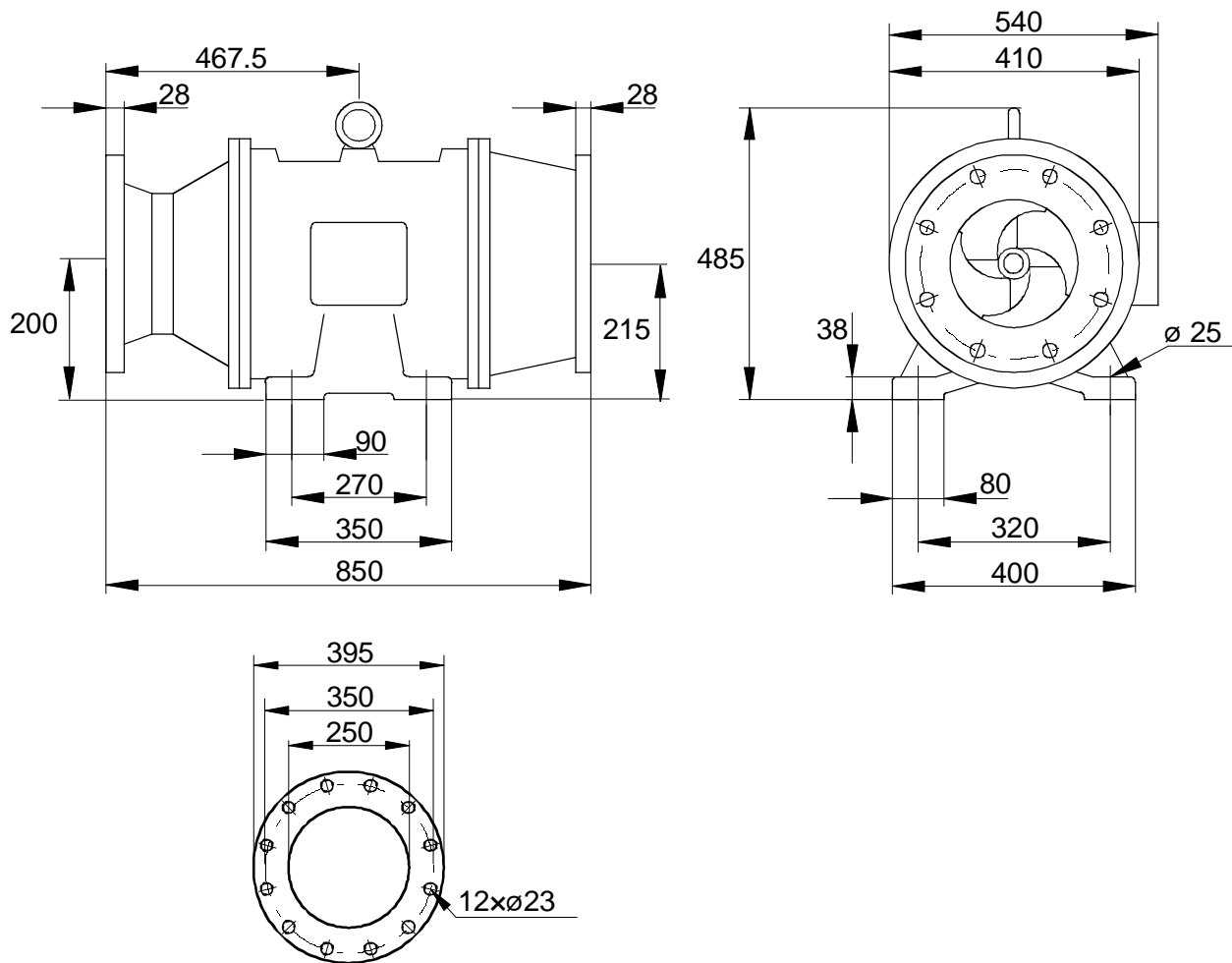
Delivery data:

Q [m ³ /h]	0	100	200	300	400	500	620
Q [l/s]	0	27.8	55.5	83.3	111	139	172
H [m]	9	7.8	6.5	5.0	3.8	2.3	0

Subject to alterations

Main dimensions:

po-upl 250.1



Installation:

- horizontal or vertical installation position
- on foundation
- in-line with piping
- with automatic coupling device
- free hanging at delivery pipe
- in ducts made of concrete or steel

Subject to alterations