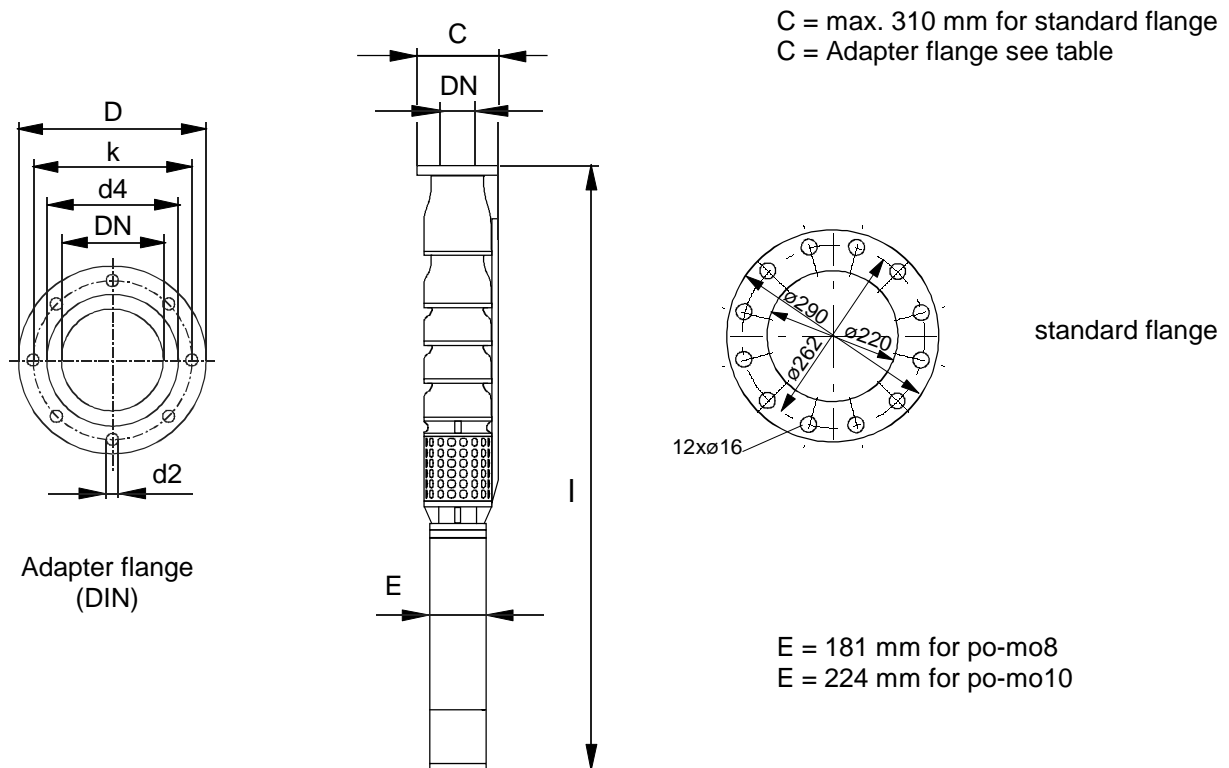


Specification

- multistage centrifugal pump in structured design coupled with **oddesse** submersible motor
- discharge end with integrated non-return valve
- driven by three-phase AC motors
- minimal water level above the pump unit 2.5 m
- min. cooling flow 0.5 m/s, max. ambient temperature 30 °C
- pure, clean water with content of solid up to 50 mg/l
- standard connection: flange, counter flange included
- other connections on request
- hydraulic performance tests for acceptance according to DIN EN ISO 9906 class 2
- special design (Horizontal installation, etc.) on request

Main dimensions

Dimensions of standard flanges and adapters



| Type | adapters | | | | | | |
|----------------|-------------|------------|--------|--------|---------|---------|--------|
| | flange | dimensions | | | | | |
| | | D [mm] | b [mm] | k [mm] | d4 [mm] | d2 [mm] | m [kg] |
| po-so-450/14.3 | DN200, PN16 | 340 | 24 | 295 | 268 | 12x ø22 | 25 |
| | DN200, PN40 | 375 | 34 | 320 | 285 | 12x ø30 | 32 |
| | DN250, PN16 | 405 | 26 | 355 | 320 | 12x ø26 | 35 |
| | DN250, PN40 | 450 | 38 | 385 | 345 | 12x ø33 | 45 |
| | DN300, PN16 | 460 | 28 | 410 | 378 | 12x ø26 | 50 |
| | DN300, PN40 | 515 | 42 | 450 | 410 | 16x ø33 | 60 |

Flange dimensions according to DIN 2633 (PN16) and DIN 2635 (PN40)

Material: zinc-coated or stainless steel

PN nominal pressure [bar], DN nominal diameter [mm], b thickness of flange [mm], m weight [kg]

Flanges with 2 cable recesses

subject to alterations

Material of construction

Submersible motor pumps po-so/14.3

According to DIN

| components | standard-version |
|------------------------|------------------------------------|
| impeller | grey cast iron GG25 / 0.6025 |
| stage casing | grey cast iron GG25 / 0.6025 |
| suction casing | grey cast iron GG25 / 0.6025 |
| outlet branch | grey cast iron GG25 / 0.6025 |
| radial bearing | rubber / stainless steel |
| suction strainer | stainless steel / 1.4301 |
| coupling | stainless steel / 1.4005 |
| shaft | stainless steel / 1.4021 |
| screws, nuts and bolts | stainless steel A2 1.4301 / 1.4303 |
| motor | see chapter submersible motors |

According to AISI

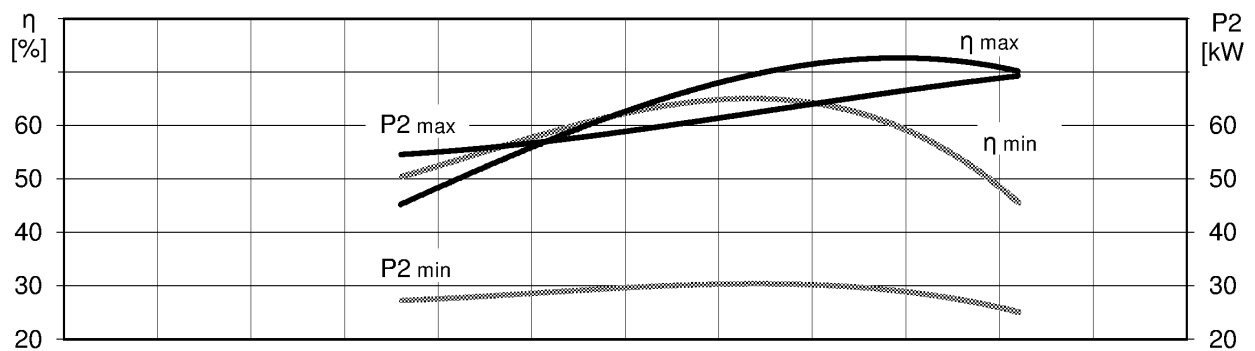
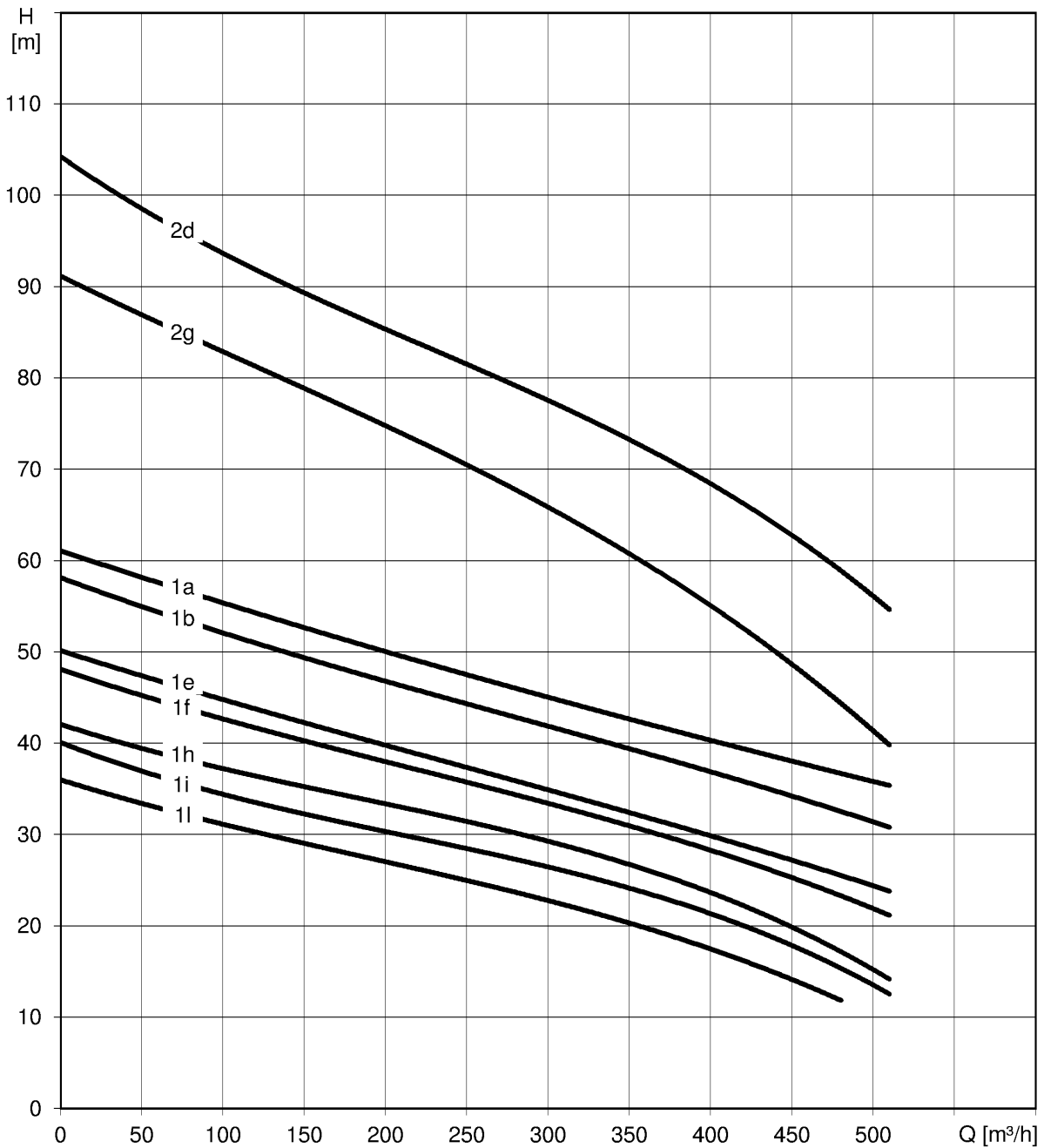
| components | standard-version |
|------------------------|---------------------------------|
| impeller | grey cast iron A48-40B |
| stage casing | grey cast iron A48-40B |
| suction casing | grey cast iron A48-40B |
| outlet branch | grey cast iron A48-40B |
| radial bearing | rubber / stainless steel |
| suction strainer | stainless steel / AISI 304 |
| coupling | stainless steel / AISI 416 |
| shaft | stainless steel / AISI 420 |
| screws, nuts and bolts | stainless steel A2 AISI 304/305 |
| motor | see chapter submersible motors |

oddesse reserve the right to employ construction materials following German (DIN) standard

subject to alterations

po-so-450/14.3

2850 r.p.m. - 50 Hz



subject to alterations

po-so-450/14.3
2850 r.p.m. - 50 Hz

| Type | Power | | Amperes 400V [A] | Delivery rate Q | | | | | | | | | Length l [mm] | Weight m [kg] |
|--------------------------|-------|-------|------------------------|------------------------|-----|-----|-----|-----|-----|-----|-----|------|---------------------|---------------------|
| | | | | [l/s] | 50 | 67 | 83 | 100 | 117 | 125 | 133 | 142 | | |
| | | | | [m³/h] | 180 | 240 | 300 | 360 | 420 | 450 | 480 | 510 | | |
| po-so-450-1l/14.3 | 37* | 50* | 72 | Delivery head H [m] | 28 | 25 | 23 | 20 | 16 | 14 | 12 | 2065 | 234 | |
| po-so-450-1i/14.3 | 45* | 60* | 88 | | 32 | 28 | 26 | 24 | 20 | 18 | 16 | 12 | 2145 | 247 |
| po-so-450-1h/14.3 | 45* | 60* | 88 | | 35 | 31 | 29 | 26 | 23 | 20 | 17 | 14 | 2145 | 247 |
| po-so-450-1f/14.3 | 63* | 85* | 127 | | 40 | 35 | 33 | 31 | 27 | 26 | 23 | 21 | 2305 | 272 |
| po-so-450-1e/14.3 | 63* | 85* | 127 | | 42 | 37 | 34 | 32 | 29 | 28 | 26 | 23 | 2305 | 272 |
| po-so-450-1b/14.3 | 75** | 100** | 145 | | 49 | 44 | 41 | 39 | 36 | 35 | 33 | 30 | 2446 | 409 |
| po-so-450-1a/14.3 | 90** | 125** | 175 | | 52 | 47 | 45 | 42 | 40 | 38 | 37 | 35 | 2536 | 436 |
| po-so-450-2g/14.3 | 110** | 150** | 215 | | 78 | 70 | 65 | 60 | 53 | 49 | 45 | 39 | 2891 | 506 |
| po-so-450-2d/14.3 | 130** | 175** | 250 | | 89 | 81 | 76 | 72 | 67 | 64 | 60 | 53 | 3011 | 545 |

* 8 inch Motor

** 10 inch Motor

subject to alterations