

### po-Söffel D-E.1

#### Fields of application:

The drainage pump **po-Söffel D-E.1** is a submersible centrifugal pump for delivery of clean or dirty water with solid admixtures up to a particle size of 5 mm.

#### Technical data:

Delivery rate range	18 - 0 m <sup>3</sup> /h
Delivery head range	2 - 10 m
Medium temperature	max. 35 °C
Immersion depth	max. 10 m
Density	1100 kg/m <sup>3</sup>
pH-value	4-8
Current type	Single-phase AC with capacitor
Nominal voltage	230 V 1~, 50 Hz
Nominal current	4.4 A
Motor nominal power	0.75 kW
Nominal speed	2800 1/min
Weight	8.6 kg
Degree of protection	DIN IP68
Thread connection	R 1 1/2" internal thread

#### Material specification:

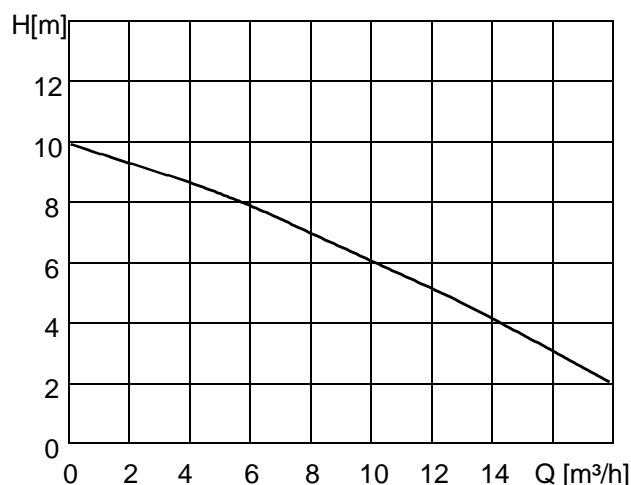
Casing	Stainless steel	1.4301
Impeller	Stainless steel	1.4301
Shaft	Stainless steel	1.4301
Inlet strainer	Stainless steel	1.4301
Shaft sealing	Dual mechanical seal	

#### Electrical connection and accessories:

- 10 m rubber-jacket cable with phase reversing connector plug
- pipe bend 90°
- on request hose connection, coupling D or coupling C

special design on request

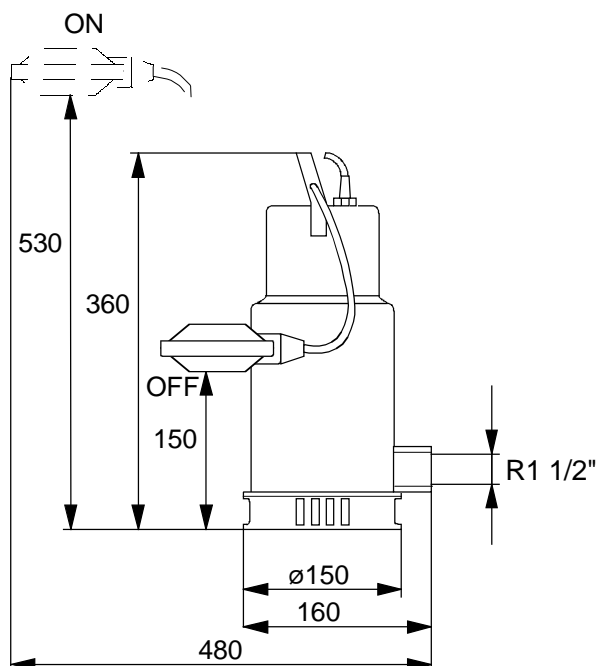
#### Characteristic curve:



#### Delivery data:

Q [m <sup>3</sup> /h]	0	3	5.5	7.5	10	12	14.1	18
Q [l/s]	0	0.8	1.5	2.1	2.8	3.3	3.9	5
H [m]	10	9	8	7	6	5	4	2

#### Main dimensions:



Subject to alterations

### po-Söffel D-E.2

#### Fields of application:

The drainage pump **po-Söffel D-E.2** is a submersible centrifugal pump for delivery of clean or dirty water with solid admixtures up to a particle size of 10 mm.

#### Technical data:

Delivery rate range	17 - 0 m <sup>3</sup> /h
Delivery head range	0 - 13 m
Medium temperature	max. 50 °C
Immersion depth	max. 10 m
Density	1100 kg/m <sup>3</sup>
pH-value	4-8
Current type	Single-phase AC with capacitor three-phase AC
Nominal voltage	230 V 1~ / 400 V 3~ , 50 Hz
Nominal current	4.9 A / 2.0 A
Motor nominal power	0.55 kW
Nominal speed	2800 1/min
Weight	12 kg
Degree of protection	DIN IP68
Thread connection	R 1 1/2" internal thread

#### Material specification:

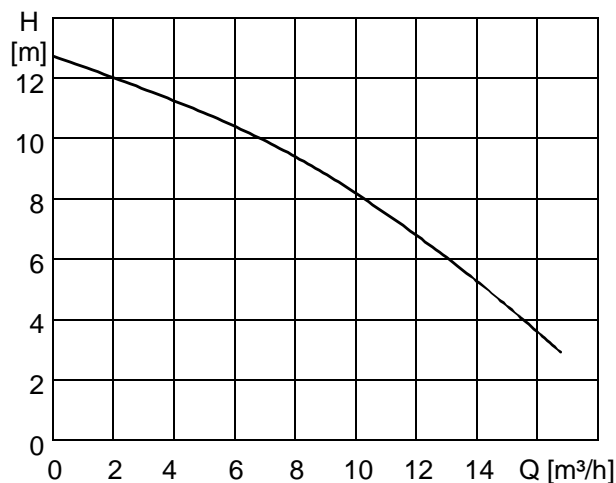
Casing	Stainless steel	1.4301
Impeller	Stainless steel	1.4301
Shaft	Stainless steel	1.4305
Inlet strainer	Stainless steel	1.4301
Shaft sealing	Dual mechanical seal	

#### Electrical connection and accessories:

- 10 m rubber-jacket cable with phase reversing connector plug
- pipe bend 90°
- on request hose connection, coupling D or coupling C

special design on request

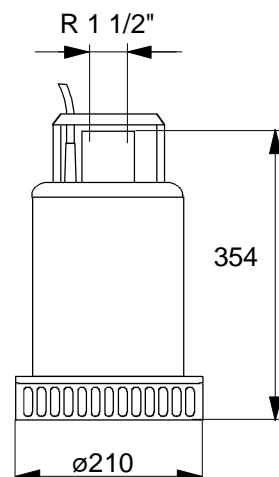
#### Characteristic curve:



#### Delivery data:

Q [m <sup>3</sup> /h]	0	2.4	4.8	7.2	9.6	12	14.4	16.8
Q [l/s]	0	0.7	1.3	2	2.7	3.3	4	4.7
H [m]	12.8	12	11	10	8.5	7	5	3

#### Main dimensions:



Subject to alterations

### po-Söffel D-E.5

#### Fields of application:

The drainage pump **po-Söffel D-E.5** is a submersible centrifugal pump for delivery of clean or dirty water with solid admixtures up to a particle size of 10 mm.

#### Technical data:

Delivery rate range	21 - 0 m <sup>3</sup> /h
Delivery head range	0 - 20 m
Medium temperature	max. 35 °C
Immersion depth	max. 10 m
Density	1100 kg/m <sup>3</sup>
pH-value	4-8
Current type	three-phase AC

Nominal voltage	400 V 3~ , 50 Hz
Nominal current	4 A
Motor nominal power	1.5 kW
Nominal speed	2800 1/min

Weight	13.5 kg
Degree of protection	DIN IP68
Thread connection	R 1 1/2" internal thread

#### Material specification:

Casing	Stainless steel	1.4301
Impeller	Stainless steel	1.4301
Shaft	Stainless steel	1.4305
Inlet strainer	Stainless steel	1.4301
Shaft sealing	Dual mechanical seal	

#### Electrical connection and accessories:

- 10 m rubber-jacket cable with phase reversing connector plug
- pipe bend 90°
- on request hose connection, coupling D or coupling C

special design on request

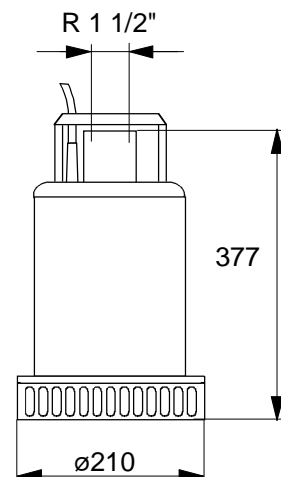
#### Characteristic curve:



#### Delivery data:

Q [m <sup>3</sup> /h]	0	3	6	9	12	15	18	24
Q [l/s]	0	0.8	1.7	2.5	3.3	4.2	5	6.7
H [m]	20	19	18.5	16	14.5	13	10	4.5

#### Main dimensions:



Subject to alterations

### po-Söffel C.2-WS

#### Fields of application:

The waste water pump **po-Söffel C.2** is a submersible centrifugal pump for delivery of clean or dirty water with solid admixtures up to a particle size of 10 mm.

#### Technical data:

Delivery rate range	35 - 0 m <sup>3</sup> /h
Delivery head range	0 - 16.5 m
Medium temperature	max. 40 °C, for a short time 60 °C
Immersion depth	max. 20 m
Density	1100 kg/m <sup>3</sup>
pH-value	4-8
Current type	Single-phase AC with capacitor
Nominal voltage	230 V 1~ , 50 Hz
Nominal current	8.5 A
Motor nominal power	1.1 kW
Nominal speed	2800 1/min
Weight	22 kg without cable
Degree of protection	DIN IP68
Thread connection	R 2" external thread R 1 ½", R 2 ½", R 3" BSP 2" , BSP 2 ½" , BSP 3" NPT 2" , NPT 3"
Coupling	Storz C, Storz B

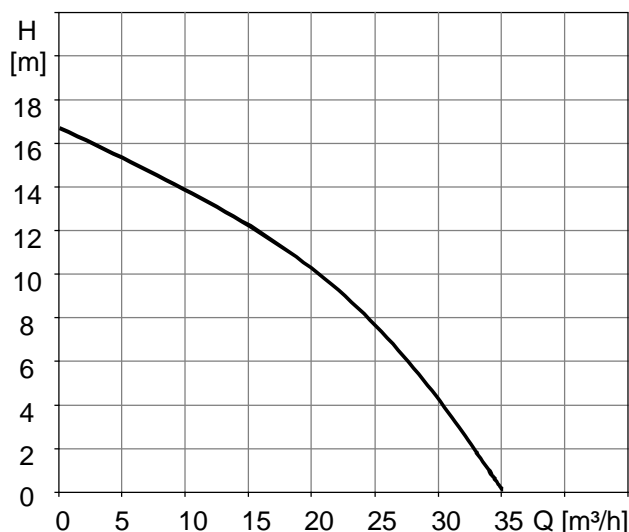
#### Material specification:

Casing	Aluminium alloy	3.2381
Impeller	Polyurethane or stainless steel	0.9635
Diffuser	Rubber	
Shaft	Stainless steel	1.4057
Suction bracket	Rubber	NBR
Inlet strainer	Stainless steel	1.4301
Shaft sealing	Dual mechanical seal	
	SiC - SiC	

#### Electrical connection:

- 20 m rubber-jacket cable with connector plug
- alternatively with motor protection connector plug or with motor protection connector plug and float switch

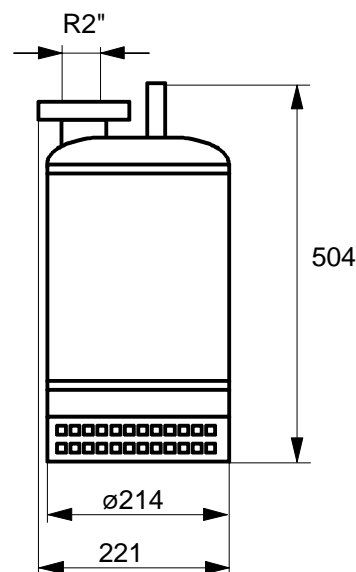
#### Characteristic curve:



#### Delivery data:

Q [m <sup>3</sup> /h]	0	10	16	21	24	27.5	30.5	35
Q [l/s]	0	2.8	4.4	5.8	6.7	7.6	8.5	9.7
H [m]	16.5	14	12	10	8	6	4	0

#### Main dimensions:



special design on request

Subject to alterations

### po-Söffel C.2-DS

#### Fields of application:

The waste water pump **po-Söffel C.2** is a submersible centrifugal pump for delivery of clean or dirty water with solid admixtures up to a particle size of 10 mm.

#### Technical data:

Delivery rate range	40 - 0 m <sup>3</sup> /h
Delivery head range	0 - 20 m
Medium temperature	max. 40 °C, for a short time 60 °C
Immersion depth	max. 20 m
Density	1100 kg/m <sup>3</sup>
pH-value	4-8
Current type	three-phase AC
Nominal voltage	400 V / 500 V 3~ , 50 Hz
Nominal current	5 A / 3.5 A
Motor nominal power	1.5 kW
Nominal speed	2860 1/min

Weight	22 kg without cable
Degree of protection	DIN IP68
Thread connection	R 2" external thread R 1 ½", R 2 ½", R 3" BSP 2 " , BSP 2 ½" , BSP 3" NPT 2" , NPT 3"
Coupling	Storz C, Storz B

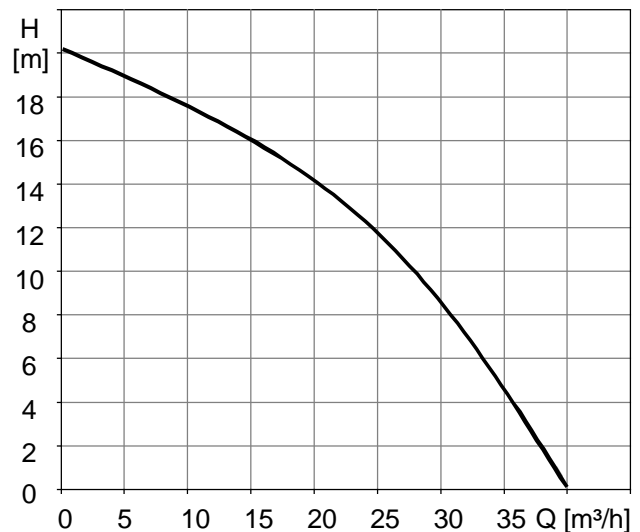
#### Material specification:

Casing	Aluminium alloy	3.2381
Impeller	Polyurethane or stainless steel	0.9635
Diffuser	Rubber	
Shaft	Stainless steel	1.4057
Suction bracket	Rubber	NBR
Inlet strainer	Stainless steel	1.4301
Shaft sealing	Dual mechanical seal	SiC - SiC

#### Electrical connection:

- 20 m rubber-jacket cable with phase reversing connector plug
- alternatively with motor protection connector plug or with motor protection connector plug and float switch

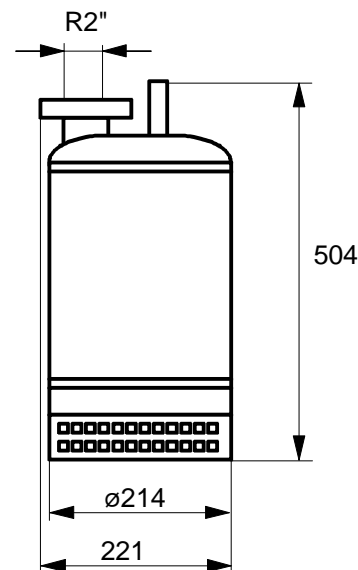
#### Characteristic curve:



#### Delivery data:

Q [m <sup>3</sup> /h]	0	6.8	14.8	20	24	27.8	31.2	40
Q [l/s]	0	1.9	4.1	5.6	6.7	7.2	8.7	11.1
H [m]	20	18	16	14	12	10	8	0

#### Main dimensions:



special design on request

Subject to alterations

### po-Söffel B.2

#### Fields of application:

The waste water pump **po-Söffel B.2** is a submersible centrifugal pump for delivery of clean or dirty water with solid admixtures up to a particle size of 10 mm.

#### Technical data:

Delivery rate range	80 - 0 m <sup>3</sup> /h (1), 63 - 0 m <sup>3</sup> /h (2)
Delivery head range	0 - 25 m (1), 0 - 12 m (2)
Medium temperature	40°C, for a short time 60°C (1) 50°C, for a short time 60°C (2)
Immersion depth	max. 20 m
Density	1100 kg/m <sup>3</sup>
pH-value	4-8
Current type	three-phase-AC
Nominal voltage	400V / 500V / 690V, 3~, 50Hz
Nominal current	9A / 7A / 5.5A (1) 6A / 4.6A / 4.3A (2)
Motor nominal power	4 kW (1), 2.5 kW (2)
Nominal speed	2850 1/min

Weight	39 kg without cable
Degree of protection	DIN IP68
Thread connection	R 2 1/2" external thread R 3", R 4" BSP 2 1/2", BSP 3", BSP 4" NPT 2 1/2", NPT 3", NPT 4"
Coupling	Storz B, Storz A

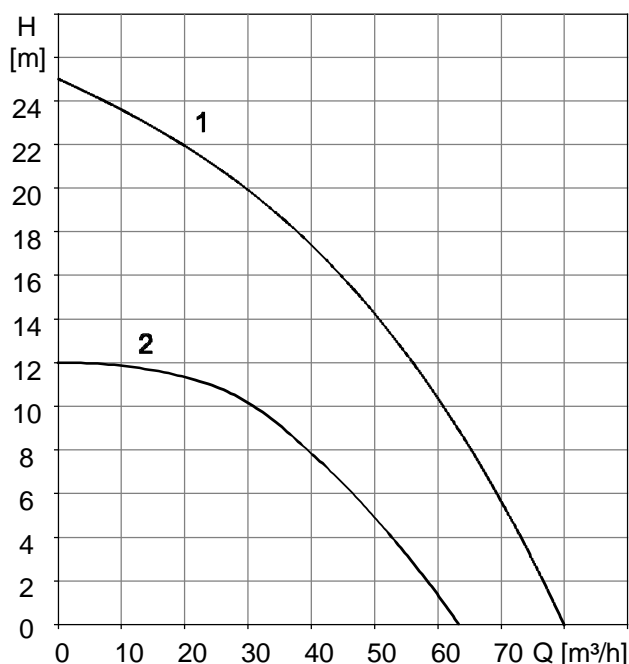
#### Material specification:

Casing	Aluminium alloy	3.2381
Impeller	Polyurethane or stainless steel	1.4027
Diffuser	Rubber	NBR
Shaft	Stainless steel	1.4057
Suction bracket	Rubber	NBR
Inlet strainer	Stainless steel	1.4301
Shaft sealing	Dual mechanical seal	SiC - SiC

#### Electrical connection:

- 20 m rubber-jacket cable with phase reversing connector plug
- alternatively with motor protection connector plug or with motor protection connector plug and float switch

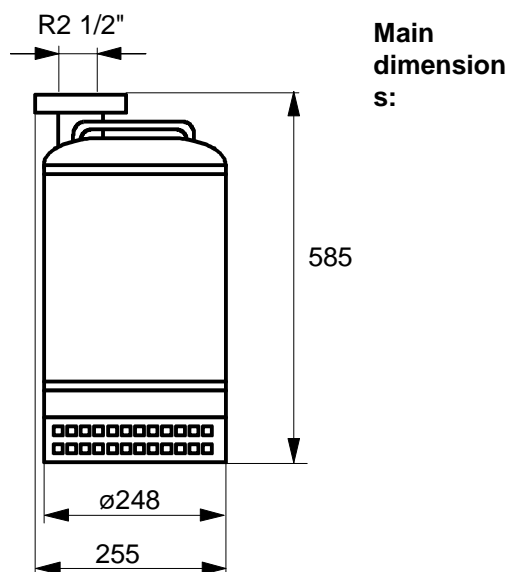
#### Characteristic curve:



(1) t<sub>max</sub> 40 °C  
(2) t<sub>max</sub> 50 °C

#### Delivery data:

Q [m <sup>3</sup> /h]	0	25	38	47	57	63	69	80
Q [l/s]	0	7	11	13	16	18	19	22
H [m] (1)	25	21	18	15	12	9	6	0
H [m] (2)	12	11	8.5	5.5	1.5	0		



special design on request

Subject to alterations

### po-Söffel B-W

#### Fields of application:

The waste water pump **po-Söffel B-W** is a submersible centrifugal pump for delivery of clean or dirty water with solid admixtures up to a particle size of 10 mm.

#### Technical data:

Delivery rate range	100 - 0 m <sup>3</sup> /h
Delivery head range	10 - 32 m
Medium temperature	max. 40 °C, for a short time 60 °C
Immersion depth	max. 20 m
Density	1100 kg/m <sup>3</sup>
pH-value	4-8
Current type	three-phase-AC
Nominal voltage	400V / 500V / 690V 3~, 50Hz
Nominal current	19 A / 15 A / 12 A
Motor nominal power	7.5 kW
Nominal speed	2870 1/min / 2850 1/min

Weight	64 kg without cable
Degree of protection	DIN IP68
Thread connection	R 2 1/2" external thread R 3", R 4" BSP 2 1/2", BSP 3", BSP 4" NPT 2 1/2", NPT 3", NPT 4"
Coupling	Storz B, Storz A

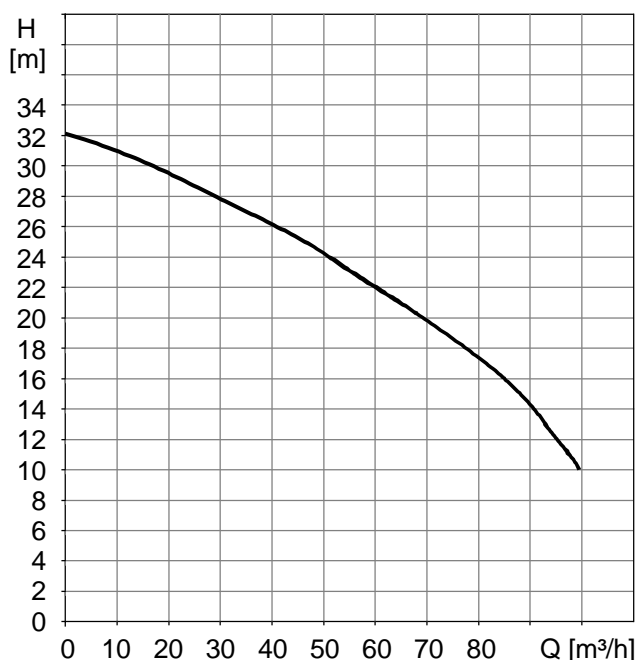
#### Material specification:

Casing	Aluminium alloy	3.2381
Impeller	steel	1.4027
Diffuser	Steel	1.4027
Shaft	Stainless steel	1.4057
Suction bracket	Rubber	NBR
Inlet strainer	Stainless steel	1.4301
Shaft sealing	Dual mechanical seal	SiC - SiC

#### Electrical connection:

- 20 m rubber-jacket cable with phase reversing connector plug
- alternatively with motor protection connector plug or with motor protection connector plug and float switch

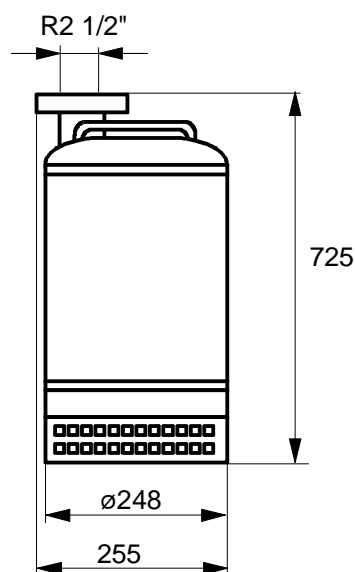
#### Characteristic curve:



#### Delivery data:

Q [m <sup>3</sup> /h]	0	29	51	68	84	90	95	100
Q [l/s]	0	8.1	14.2	18.9	23.3	25	26.4	27.8
H [m]	32	28	24	20	16	14	12	10

#### Main dimensions:



special design on request

Subject to alterations

### po-Söffel A

#### Fields of application:

The waste water pump **po-Söffel A** is a submersible centrifugal pump for delivery of clean or dirty water with solid admixtures up to a particle size of 7 mm.

#### Technical data:

Delivery rate range	170 - 0 m <sup>3</sup> /h
Delivery head range	0 - 37 m
Medium temperature	max. 40 °C, for a short time 60 °C
Immersion depth	max. 20 m
Density	1100 kg/m <sup>3</sup>
pH-value	4-8
Current type	three-phase-AC
Nominal voltage	400V / 500V / 690V 3~, 50 Hz
Nominal current	19A / 14A / 11A
Motor nominal power	7.5 kW
Nominal speed	2850 1/min

Weight	87 kg without cable
Degree of protection	DIN IP68
Thread connection	R 4 ½" external thread R 3", R 4", R 6" BSP 2 ½", BSP 3", BSP 4", BSP 6" NPT 3", NPT 4", NPT 6"
Coupling	Storz A, Storz B, Storz F
Hose connection	ø110 mm

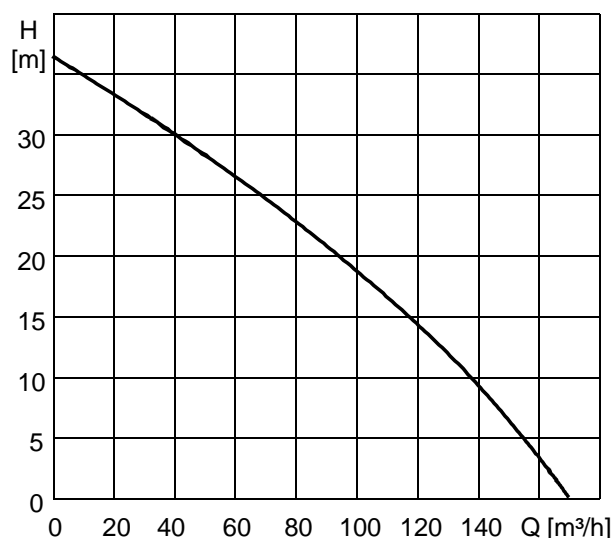
#### Material specification:

Casing	Aluminium alloy	3.2381
Impeller	Stainless steel	1.4027
Diffuser	Stainless steel	1.4027
Shaft	Stainless steel	1.4313
Suction bracket	Rubber	NBR
Inlet strainer	Aluminium alloy	3.2381
Shaft sealing	Dual mechanical seal	

#### Electrical connection:

- 20 m rubber-jacket cable with phase reversing connector plug
- alternatively with motor protection connector plug or with motor protection connector plug and float switch

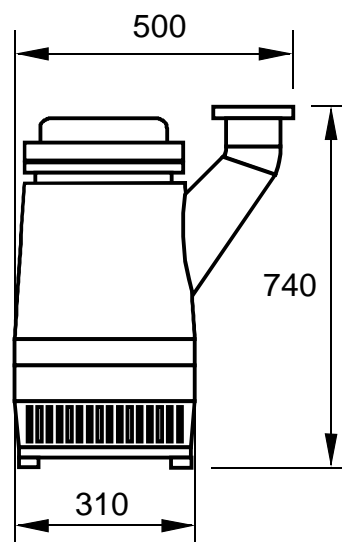
#### Characteristic curve:



#### Delivery data:

Q [m <sup>3</sup> /h]	0	40	67	95	115	136	155	170
Q [l/s]	0	11	19	26	32	38	43	47
H [m]	37	30	25	20	15	10	5	0

#### Main dimensions:



special design on request

Subject to alterations



### po-Söffel A-H

#### Fields of application:

The drainage pump **po-Söffel A-H** is a submersible centrifugal pump for delivery of clean or dirty water with solid admixtures up to a particle size of 7 mm.

#### Technical data:

Delivery rate range	120 - 0 m <sup>3</sup> /h
Delivery head range	0 - 60 m
Medium temperature	max. 40 °C
Immersion depth	max. 20 m
Density	1100 kg/m <sup>3</sup>
pH-value	4-8
Current type	three-phase-AC
Nominal voltage	400V / 500V 3~, 50 Hz
Nominal current	28A / 23A
Motor nominal power	9 kW
Nominal speed	2830 1/min

Weight	87 kg without cable
Degree of protection	DIN IP68
Thread connection	R 4 ½" external thread R 3", R 4", R 6" BSP 2 ½", BSP 3", BSP 4", BSP 6" NPT 3", NPT 4", NPT 6"
Coupling	Storz A, Storz B, Storz F
Hose connection	ø110 mm

#### Material specification:

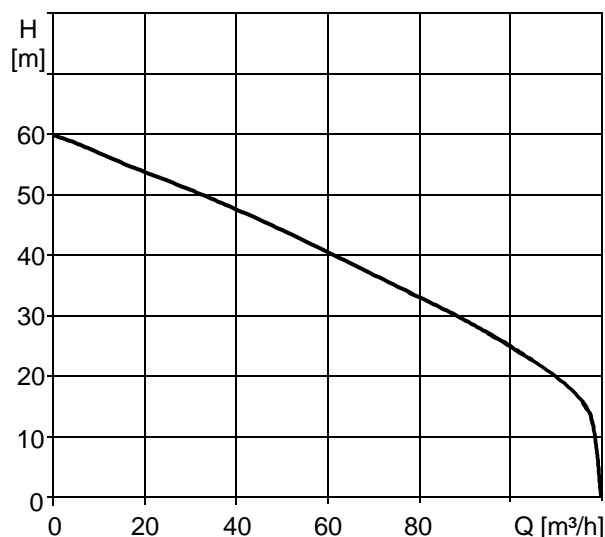
Casing	Aluminium alloy	3.2381
Impeller	Stainless steel	1.4027
Diffuser	Stainless steel	1.4027
Shaft	Stainless steel	1.4313
Suction bracket	Rubber	NBR
Inlet strainer	Aluminium alloy	3.2381
Shaft sealing	Dual mechanical seal	

#### Electrical connection:

- 20 m rubber-jacket cable with phase reversing connector plug
- alternatively with motor protection connector plug or with motor protection connector plug and float switch

special design on request

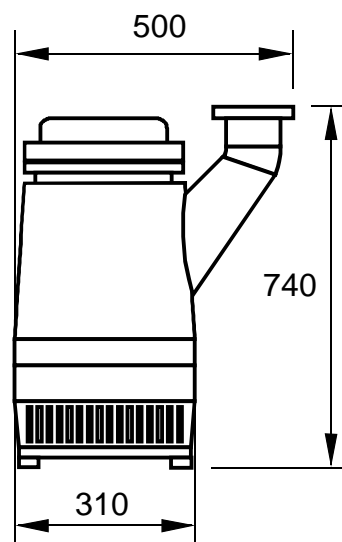
#### Characteristic curve:



#### Delivery data:

Q [m³/h]	0	20	40	60	80	100	110	120
Q [l/s]	0	5.6	11,1	16.7	22.2	27.8	30.6	33.3
H [m]	60	53	47	40	33	26	21	0

#### Main dimensions:



Subject to alterations

### po-Söffel 0

#### Fields of application:

The waste water pump **po-Söffel 0** is a submersible centrifugal pump for delivery of clean or dirty water with solid admixtures up to a particle size of 7 mm.

#### Technical data:

Delivery rate range	450 - 0 m <sup>3</sup> /h
Delivery head range	0 - 24 m
Medium temperature	max. 40 °C, for a short time 60 °C
Immersion depth	max. 20 m
Density	1100 kg/m <sup>3</sup>
pH-value	4-8
Current type	three-phase-AC
Nominal voltage	400 V / 690 V / 500 V 3~ 50 Hz

Nominal current	30 A / 17 A / 25 A
Motor nominal power	15 kW
Nominal speed	1460 1/min

Weight	190 kg without cable
Degree of protection	DIN IP68
Thread connection	R 6" external thread R 4", R 8" BSP 4", BSP 6", BSP 8", NPT 4", NPT 6", NPT 8"
Coupling	Storz A, Storz F
Hose connection	ø150 mm

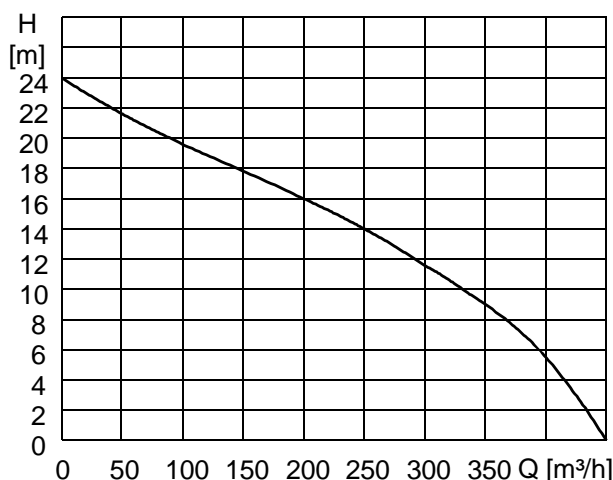
#### Material specification:

Casing	Aluminium alloy	3.2381
Impeller	Stainless steel	1.4027
Diffuser	Stainless steel	1.4027
Shaft	Stainless steel	1.4313
Suction bracket	Rubber	NBR
Inlet strainer	Aluminium alloy	3.2381
Shaft sealing	Dual mechanical seal	

#### Electrical connection:

- 20 m rubber-jacket cable
- alternatively with motor protection connector plug or with motor protection connector plug and float switch

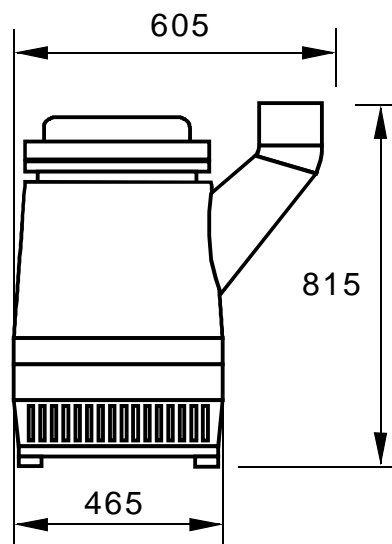
#### Characteristic curve:



#### Delivery data:

Q [m <sup>3</sup> /h]	0	146	235	290	347	395	432	450
Q [l/s]	0	41	65	81	96	110	120	125
H [m]	24	18	15	12	9	6	3	0

#### Main dimensions:



special design on request

Subject to alterations

### po-Söffel 0-H

#### Fields of application:

The waste water pump **po-Söffel 0-H** is a submersible centrifugal pump for delivery of clean or dirty water with solid admixtures up to a particle size of 7 mm.

#### Technical data:

Delivery rate range	130 - 0 m <sup>3</sup> /h
Delivery head range	0 - 82 m
Medium temperature	max. 40 °C
Immersion depth	max. 15 m
Density	1100 kg/m <sup>3</sup>
pH-value	4-8
Current type	three-phase-AC
Nominal voltage	400 V / 690 V, 3~ , 50 Hz
Nominal current	51 A / 42 A
Motor nominal power	26 kW
Nominal speed	2850 1/min

Weight	239 kg without cable
Degree of protection	DIN IP68
Thread connection	R 6" external thread BSP 6" NPT 6"
Coupling	Storz A
Hose connection	ø150 mm

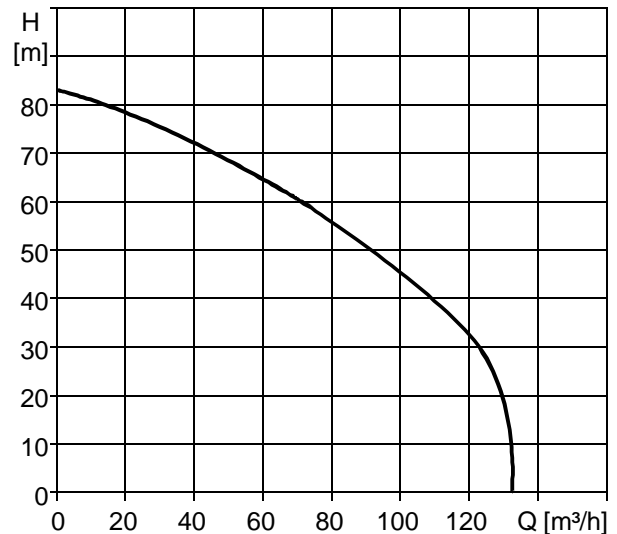
#### Material specification:

Casing	Aluminium alloy	3.2381
Impeller	Stainless steel	
Diffuser	Rubber	NBR
Shaft	Stainless steel	
Inlet strainer	Stainless steel	
Shaft sealing	Dual mechanical seal	

#### Electrical connection:

- 15 m rubber-jacket cable
- alternatively with motor protection connector plug or with motor protection connector plug and float switch

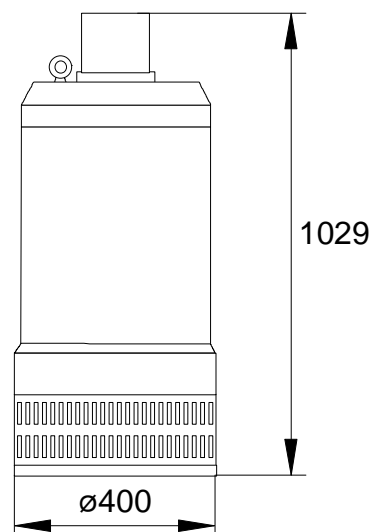
#### Characteristic curve:



#### Delivery data:

Q [m <sup>3</sup> /h]	0	24	48	72	96	120	130
Q [l/s]	0	7	13	20	27	33	36
H [m]	82	75	65	54	44	35	0

#### Main dimensions:



special design on request

Subject to alterations