

Drainage pumps SÖFFEL* C

Design

The **oddesse** drainage pumps SÖFFEL* C are single stage centrifugal pumps with open multi blade impeller. They can be used for vertical, horizontal or inlined installation.

The double casing made of aluminum alloy (AlSi10Mg-T5) guarantees the best cooling of the motor by circulating the pumped fluid. The pump can be used for continuous working-, sipping suction and emerging operation. The water- and oil-side mechanical seals are made of silicon carbide and guarantee a safety sealing of the motor and work independent of direction of rotation.

The impeller (made of stainless steel 1.4470) and the wear resistant diffuser guarantee a long life cycle. The anti-friction bearings are life time grease lubricated. They assure a vibration-free operation.

The motors are designed as three phase AC motors equipped with a thermal winding protection.

Fields of application

The drainage pumps SÖFFEL* C are used for the delivery of clean or dirty water with solid admixtures up to a particle size of 10 mm, a pH-value from 4 up to 8 and a medium temperature during continuous operation of up to 40 °C, for a short time up to 60 °C.

- water supply in construction industry and in mining
- watering and draining in communities, gardens and domestic sectors
- used in disastered areas and by fire brigades
- water supply in industry and agriculture
- fountains

Material specification

Components	Design	
Casing	Aluminium alloy	AlSi10Mg-T5
Stator sleeve	Stainless steel	1.4301
Inlet strainer	Stainless steel	1.4301
Impeller	Stainless steel	1.4470
Diffuser	Aluminium rubberised	AlSi10Mg-T5/NBR
Shaft	Stainless steel	1.4404
Shaft sealing	Double mechanical seal	SiC/SiC
Fasteners	Stainless steel	1.4301

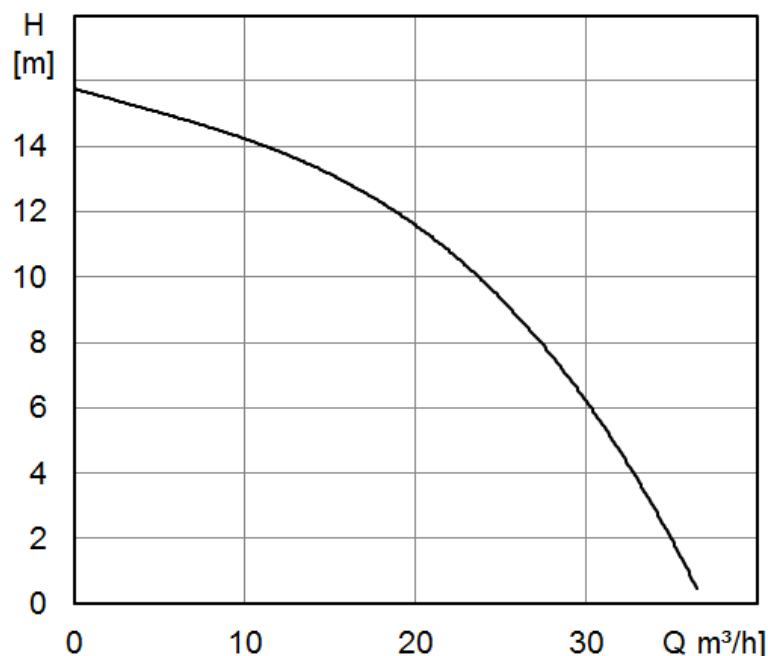
Electrical connection

- 23 m rubber-jacket cable
- alternatively with phase reversing connector,
- with motor protection connector plug or
- with motor protection connector plug and float switch

Technical data SÖFFEL* C35

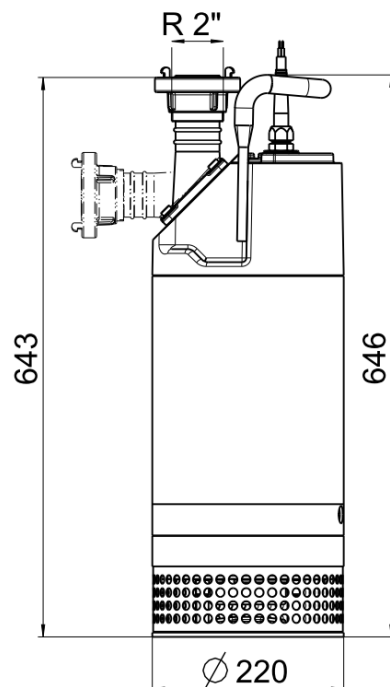
- Delivery rate range 36.5 – 0 m³/h
- Delivery head range 0 – 16 m
- Medium temperature max. 40 °C, for a short time 60 °C
- Immersion depth max. 20 m
- Density max. 1100 kg/m³
- pH-value 4 - 8
- Nominal voltage 400 V 3~, 50 Hz
- Nominal current 3.15 A
- Nominal speed 2900 1/min
- Power P1 / P2 1.8 kW / 1.5 kW
- Degree of protection DIN IP68
- Weight 32 kg (without cable)
- Thread connection R 2" external thread
- Coupling Storz C
- Hose connection Ø 2"

Characteristic curve SÖFFEL* C35



Q [m ³ /h]	0	5	10	15	20	25	30	36.5
Q [l/s]	0	1.4	2.8	4.2	5.6	6.9	8.3	10.1
H [m]	16	15	14.2	13.2	11.7	9.3	6.1	0

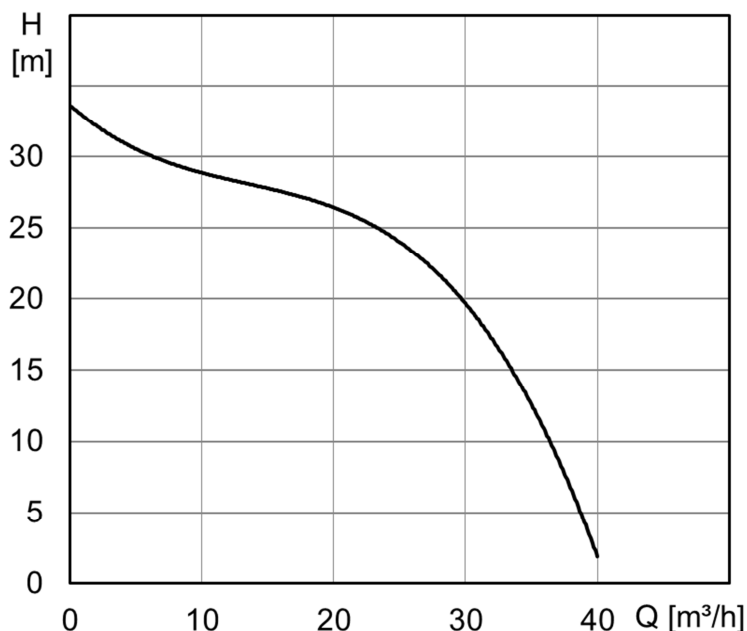
Dimensions SÖFFEL* C35



Technical data SÖFFEL* C35P

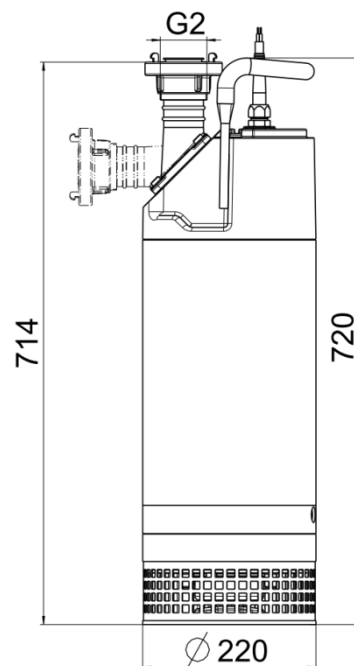
- Delivery rate range 40 - 0 m³/h
- Delivery head range 0 - 33 m
- Medium temperature max. 40 °C, for a short time 60 °C
- Immersion depth max. 20 m
- Density max. 1100 kg/m³
- pH-value 4 - 8
- Nominal voltage 400 V 3~, 50 Hz
- Nominal current 7.8 A
- Nominal speed 2900 1/min
- Power P1 / P2 4.6 kW / 3.9 kW
- Degree of protection DIN IP68
- Weight 39 kg (without cable)
- Thread connection R 2" external thread
- Coupling Storz C
- Hose connection Ø 2"

Characteristic curve SÖFFEL* C35P



Q [m ³ /h]	0	5	10	15	20	25	30	35	40
Q [l/s]	0	1.4	2.8	4.2	5.6	6.9	8.3	9.7	11.1
H [m]	33	31	28	27.5	25.5	23	19.5	15.5	0

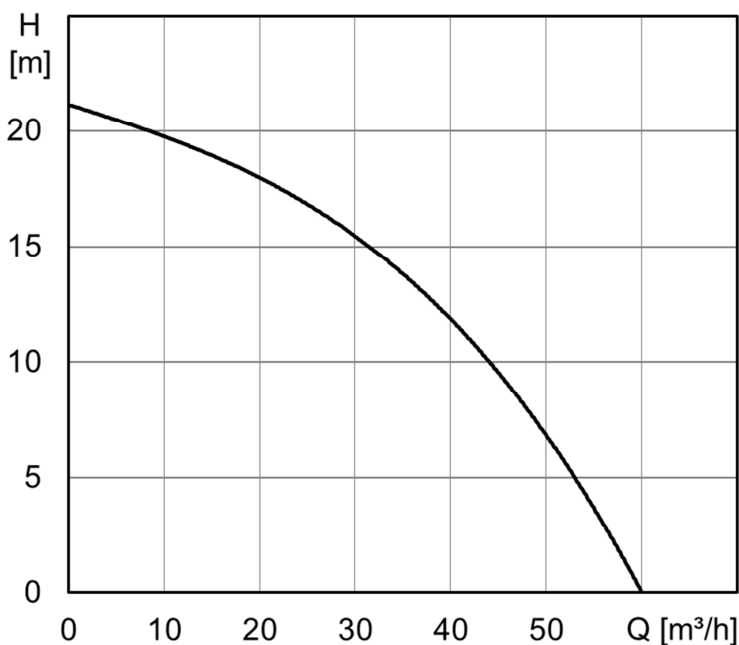
Dimensions SÖFFEL* C35P



Technical data SÖFFEL* C60

- Delivery rate range 60 - 0 m³/h
- Delivery head range 0 - 21 m
- Medium temperature max. 40 °C, for a short time 60 °C
- Immersion depth max. 20 m
- Density max. 1100 kg/m³
- pH-value 4 - 8
- Nominal voltage 400 V 3~, 50 Hz
- Nominal current 5.1 A
- Nominal speed 2900 1/min
- Power P1 / P2 3.05 kW / 2.5 kW
- Degree of protection DIN IP68
- Weight 35 kg (without cable)
- Thread connection R 2" external thread
- Coupling Storz C
- Hose connection Ø 2"

Characteristic curve SÖFFEL* C60



Q [m ³ /h]	0	10	20	30	40	50	55	60
Q [l/s]	0	2.8	5.6	8.3	11.1	13.9	15.3	16.7
H [m]	21	19.8	18.0	15.4	11.9	6.8	3.7	0

Dimensions SÖFFEL* C60

