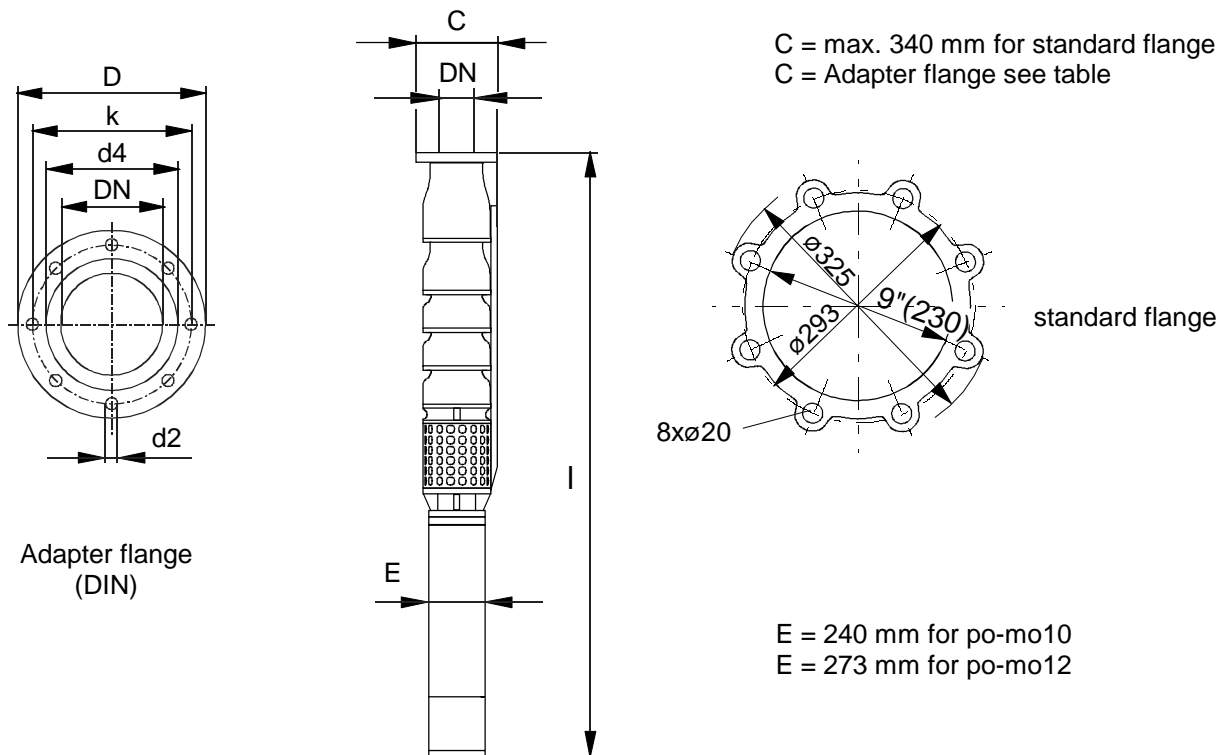


## Specification

- multistage centrifugal pump in structured design coupled with **oddesse** submersible motor
- discharge end with integrated non-return valve
- driven by three-phase AC motors
- minimal water level above the pump unit 6 m
- min. cooling flow 0.5 m/s, max. ambient temperature 30 °C
- pure, clean water with content of solid up to 70 mg/l
- standard connection: flange, counter flange included
- other connections on request
- hydraulic performance tests for acceptance according to DIN EN ISO 9906 class 2
- special design (Horizontal installation, etc.) on request

## Main dimensions

### Dimensions of standard flanges and adapters



Type	adapters						
	flange	dimensions					
		D [mm]	b [mm]	k [mm]	d4 [mm]	d2 [mm]	m [kg]
po-ss-600/14.3	DN200, PN16	340	24	295	268	12x ø22	25
	DN200, PN40	375	34	320	285	12x ø30	32
	DN250, PN16	405	26	355	320	12x ø26	35
	DN250, PN40	450	38	385	345	12x ø33	45
	DN300, PN16	460	28	410	378	12x ø26	50
	DN300, PN40	515	42	450	410	16x ø33	60

Flange dimensions according to DIN 2633 (PN16) and DIN 2635 (PN40)

Material: stainless steel

PN nominal pressure [bar], DN nominal diameter [mm], b thickness of flange [mm], m weight [kg]

Flanges with 2 cable recesses

subject to alterations

## Material of construction

### Submersible motor pumps po-ss/14.3

#### According to DIN

components	N-version (AISI 316)
impeller	stainless steel / 1.4401
spacer sleeve	stainless steel / 1.4401
stage casing, diffuser	stainless steel / 1.4401
wear ring	POM
suction casing, outlet branch	stainless steel / 1.4401
radial bearing	PTFE / stainless steel
suction strainer	stainless steel / 1.4401
coupling	stainless steel / 1.4462
shaft	stainless steel / 1.4462
screws, nuts and bolts	stainless steel / 1.4401
motor	see chapter submersible motors

#### According to AISI

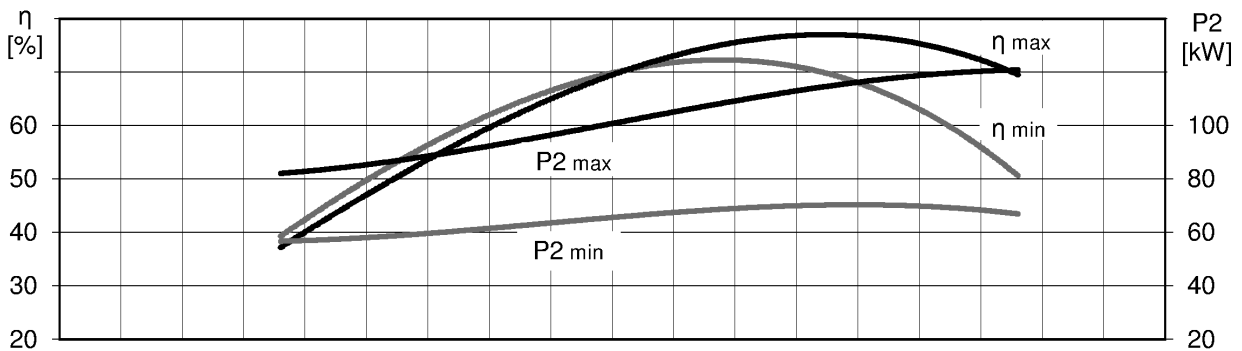
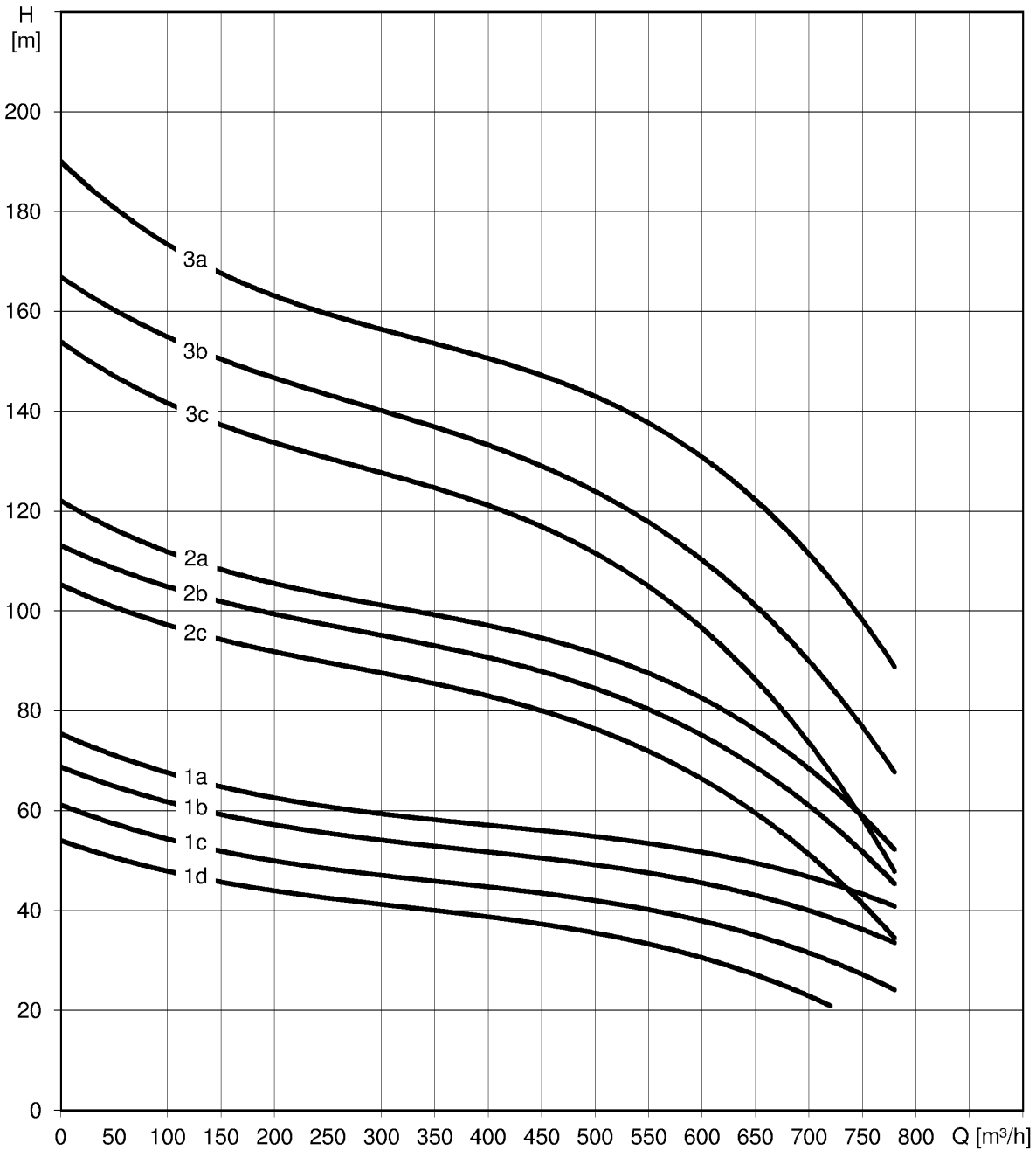
components	N-version (AISI 316)
impeller	stainless steel / AISI 316
spacer sleeve	stainless steel / AISI 316
stage casing, diffuser	stainless steel / AISI 316
wear ring	POM
suction casing, outlet branch	stainless steel / AISI 316
radial bearing	PTFE / stainless steel
suction strainer	stainless steel / AISI 316
coupling	stainless steel / AISI 329
shaft	stainless steel / AISI 329
screws, nuts and bolts	stainless steel / AISI 316
motor	see chapter submersible motors

**oddesse** reserve the right to employ construction materials following German (DIN) standard

subject to alterations

**po-ss-600/14.3**

2900 r.p.m. - 50 Hz



subject to alterations

**po-ss-600/14.3**  
2900 r.p.m. - 50 Hz

Type	Power		Amperes 400V [A]	Delivery rate Q									Length l [mm]	Weight m [kg]
				[l/s]	50	83	117	150	167	183	200	217		
				[m³/h]	180	300	420	540	600	660	720	780		
<b>po-ss-600-1d/14.3</b>	90*	125*	175	Delivery head H [m]	45	41	38	34	31	26	21		2686	479
<b>po-ss-600-1c/14.3</b>	110*	150*	215		52	47	43	41	39	34	30	24	2816	518
<b>po-ss-600-1b/14.3</b>	130*	175*	250		59	54	50	48	46	43	39	33	2936	553
<b>po-ss-600-1a/14.3</b>	150*	200*	290		65	59	55	54	52	50	46	40	3016	577
<b>po-ss-600-2c/14.3</b>	185**	250**	365		94	87	81	73	67	58	48	34	3127	645
<b>po-ss-600-2b/14.3</b>	185**	250**	365		101	95	89	81	76	67	58	45	3127	645
<b>po-ss-600-2a/14.3</b>	225**	300**	440		107	101	96	88	83	75	65	52	3217	681
<b>po-ss-600-3c/14.3</b>	225**	300**	440		135	128	119	107	97	83	68	48	3469	724
<b>po-ss-600-3b/14.3</b>	260**	350**	515		148	140	132	119	111	98	85	68	3544	753
<b>po-ss-600-3a/14.3</b>	330**	450**	655		165	157	148	139	132	120	106	89	3694	812

\* 10 inch Motor  
\*\* 12 inch Motor

subject to alterations