

### po-upl 200

#### Fields of application:

The propeller pump **po-upl 200** is a submersible single stage centrifugal pump with open semi-axial impeller for delivery of clean or slightly polluted water with solid contents up to 50 mg/l.

#### Technical data:

Delivery rate range 150 - 320 m<sup>3</sup>/h  
 Delivery head range 5.5 - 3.0 m  
 Medium temperature max. 50 °C  
 Suction head max. 1 m

Current type three-phase AC, 50 Hz  
 Nominal voltage 380 V / 400 V / 500 V  
 Nominal current 13 A / 12.5 A / 10 A  
 Nominal power 5 kW  
 Nominal speed 1450 1/min  
 Power factor cos φ 0.83  
 Direction of rotation anti clockwise

Weight 220 kg  
 Degree of protection DIN IP68  
 Suction branch C 200 DIN 2532  
 Outlet branch C 200 DIN 2532

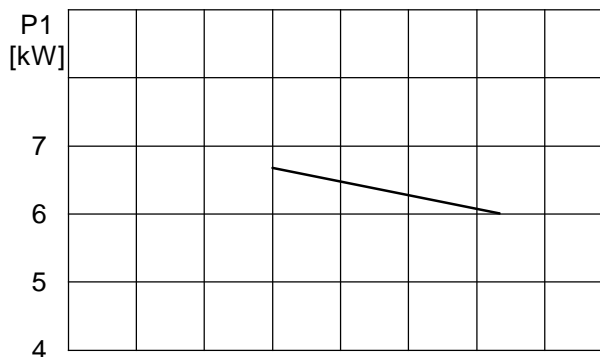
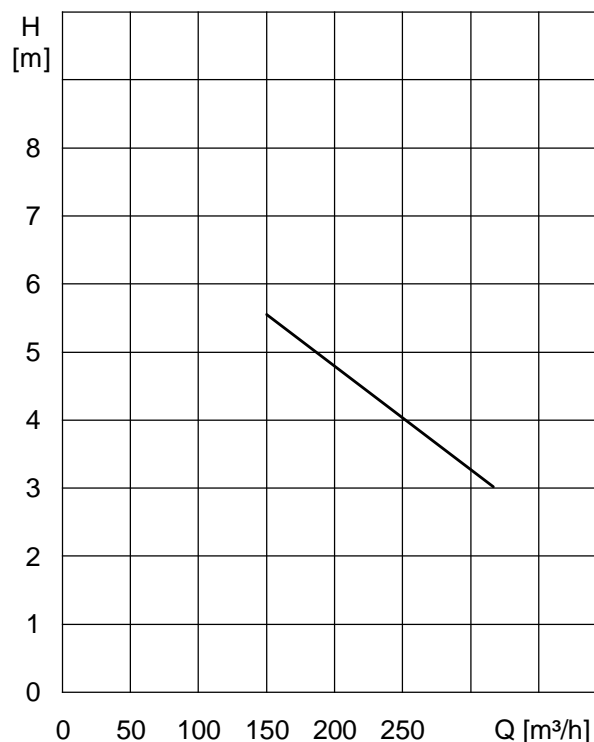
#### Material specification:

Casing cast iron GG-25 or bronze  
 Impeller bronze  
 Radial bearing stainless steel / bronze  
 Shaft sealing mechanical seal SiC  
 Winding waterproof

#### Electrical connection:

- 10 m watertight rubber-jacked cable
- for permanent operation, switched operation and frequency controlled use

#### Characteristic curve:



#### Delivery data:

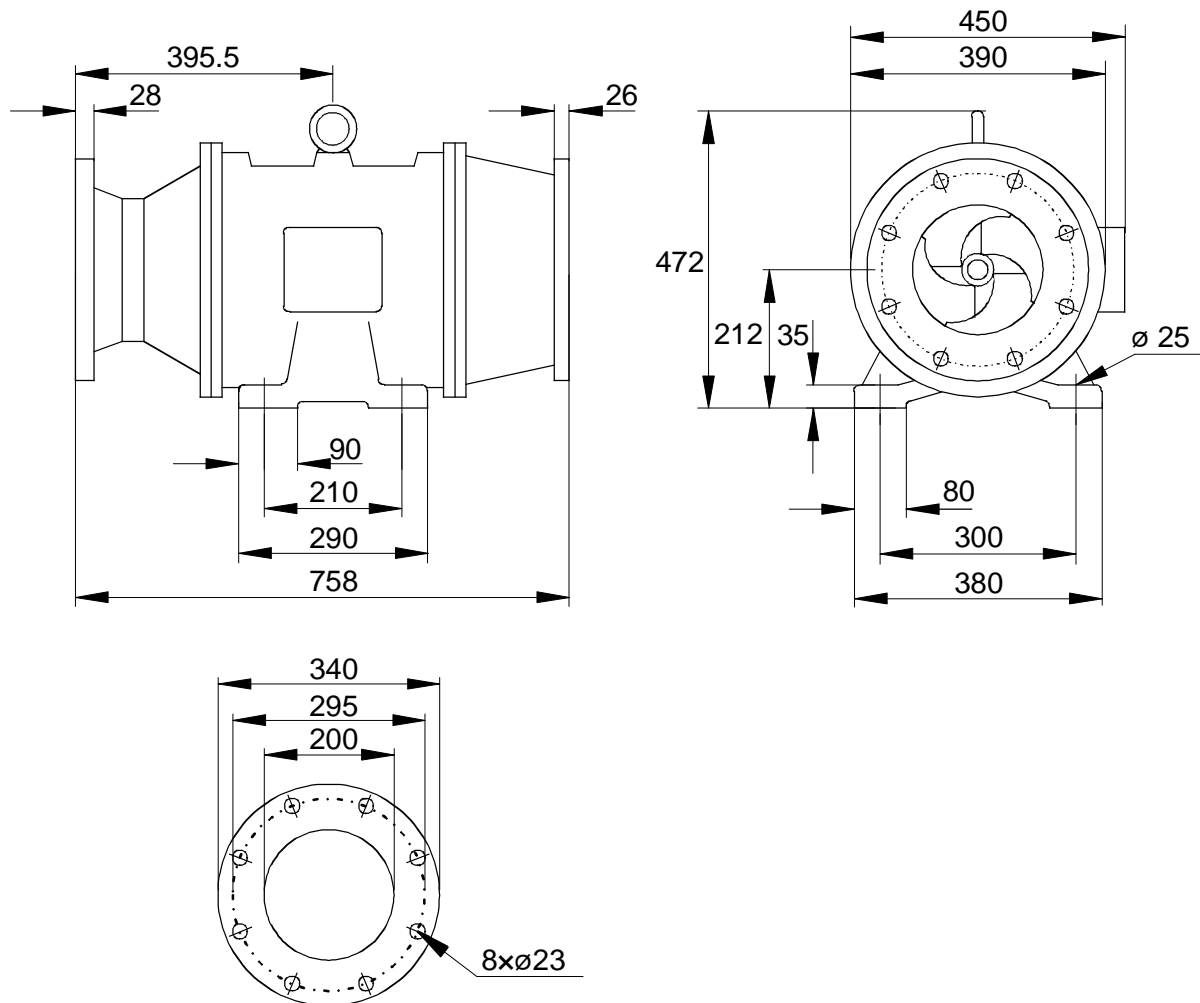
Q [m <sup>3</sup> /h]	150	200	250	300	320
Q [l/s]	42	56	69	83	89
H [m]	5.5	4.8	4	3.3	3

special designs on request

Subject to alterations

### Main dimensions:

### po-upl 200



### Installation:

- horizontal or vertical installation position
- on foundation
- in-line with piping
- with automatic coupling device
- free hanging at delivery pipe
- in ducts made of concrete or steel

Subject to alterations